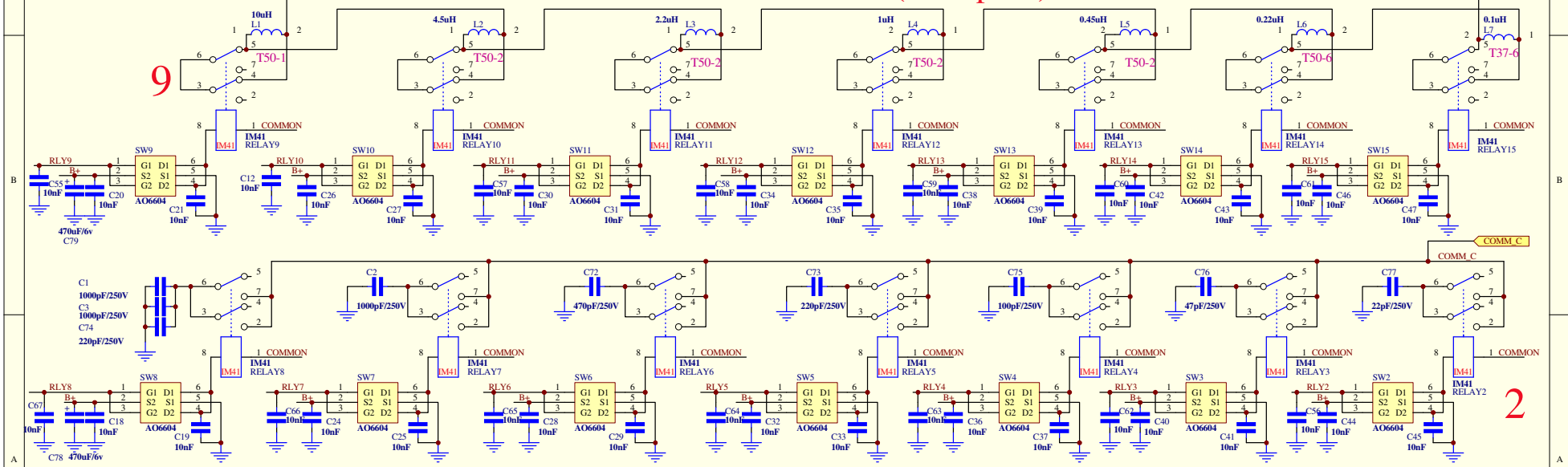


V1.32C Sch DRAFT ONLY - PCB is V1.32x (0805 parts)



v1.32C March 30th 2022 added R24 & R25 to USB-C Skt. & r23 TO USB

ATU-10 by N7DDC
DRAWN BY VK3PE

ATU-10 drawn by vk3pe Oct 2021

V1.3 Oct 21, 2021 V1.3 based on V1.2 now 0805 parts & added alternate 10.05 pitch gnd pin BNC socket

Aug 8th SEE SHT 2 for all PIC's
 -3.2 show all relays in reset position, correct relay ref #s
 -3.1 added 1uF cap near TP4056 & 2 x 10nF caps
 -3.140721 ADDED 3.5mm Sht & ANODE DUAL LED TO BATT
 -1 130721 CORRECTED PINS ON MAIN PIC

D:\PROJECTS 2021\ATU-10\BIG PICSV1.32-5K1-R23\ATU-10_Sht1_Sch_V1.32C_081221_2.pj

Title		ATU-10 Sch - vk3pe	
Size: A3	Number:	Revision: V1.1, V1.2, V1.3 PCB(C) VK3PE 2021	
File:	Date: 17-Jul-2022	Time: 13:58:43	Sheet 1 of 2