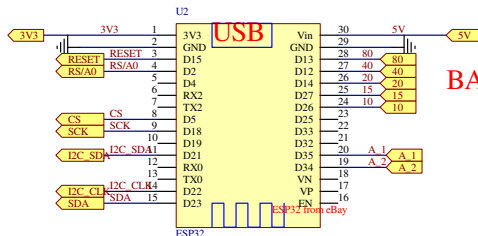
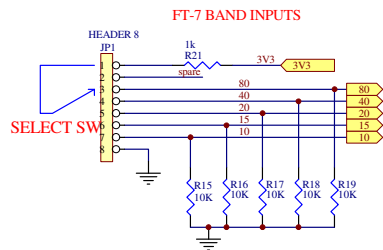


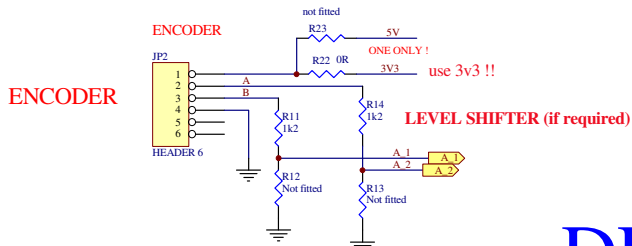
# ANALOG DIAL/VFO FOR FT-7

pcb V1.0 240419

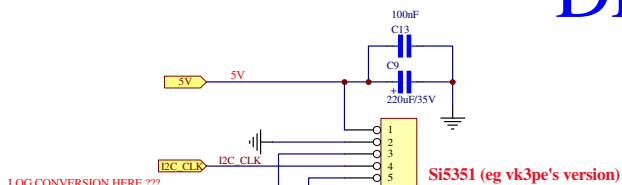


BAND PINS inputs ??

DRAFT SCH

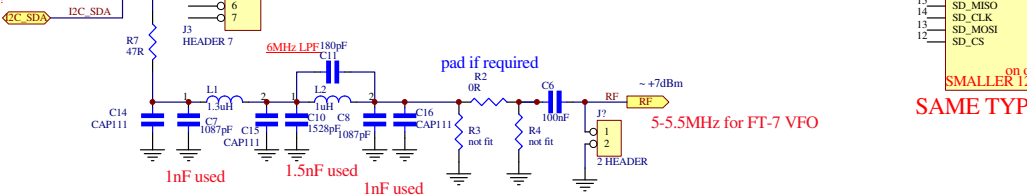


DRAFT SCH

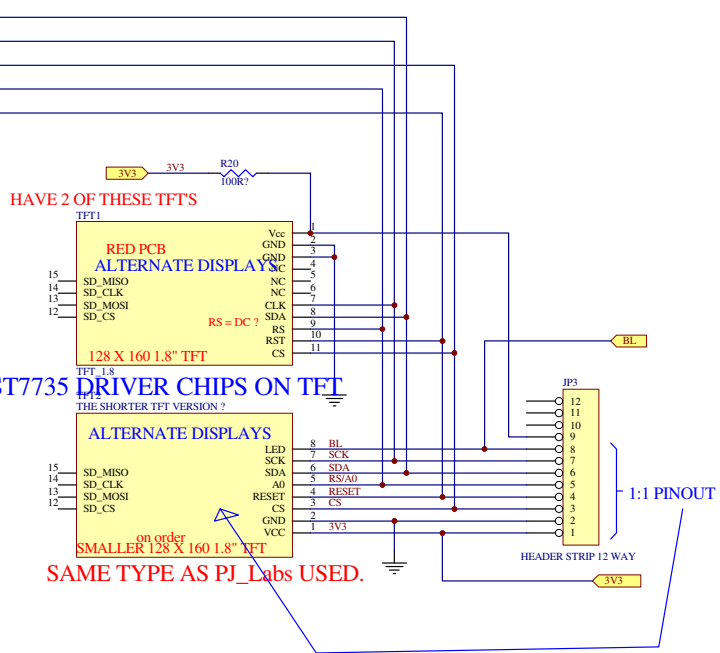


LOG CONVERSION HERE ???

Si5351 (eg vk3pe's version)



5-5.5MHz for FT-7 VFO



HAVE 2 OF THESE TFT'S

NOTE: ST7735 DRIVER CHIPS ON TFT

SAME TYPE AS PJ\_Labs USED.

DISPLAY CONNECTOR

280319

Title	DRAWN BY: VK3PE		
Size: A3	Date: 23-Apr-2019	Sheet of 1	(C) 2007-2019
	Time: 12:23:26		