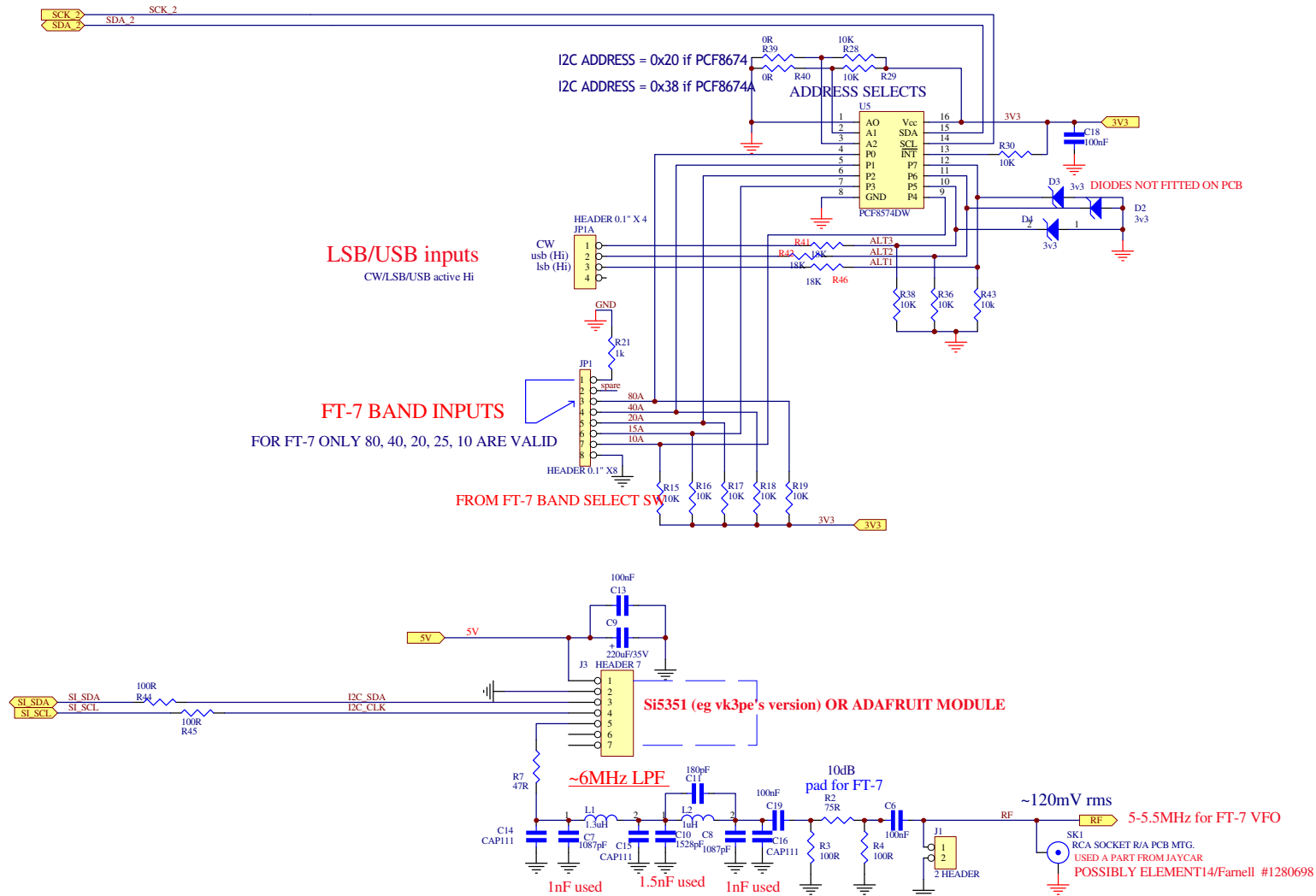


# V2.0 BAND INPUT & LSB/USB SELECT USING I2C BUS



290919 V2 added inputs for LSB/USB and PTT

250519

Title		PCF8574.SCH		DRAWN BY:	
Size:	A3	Date:	3-Oct-2024	Sheet	2
		Time:	02:42:11	of	2
				VK3PE	
				(C) 2007-2019	