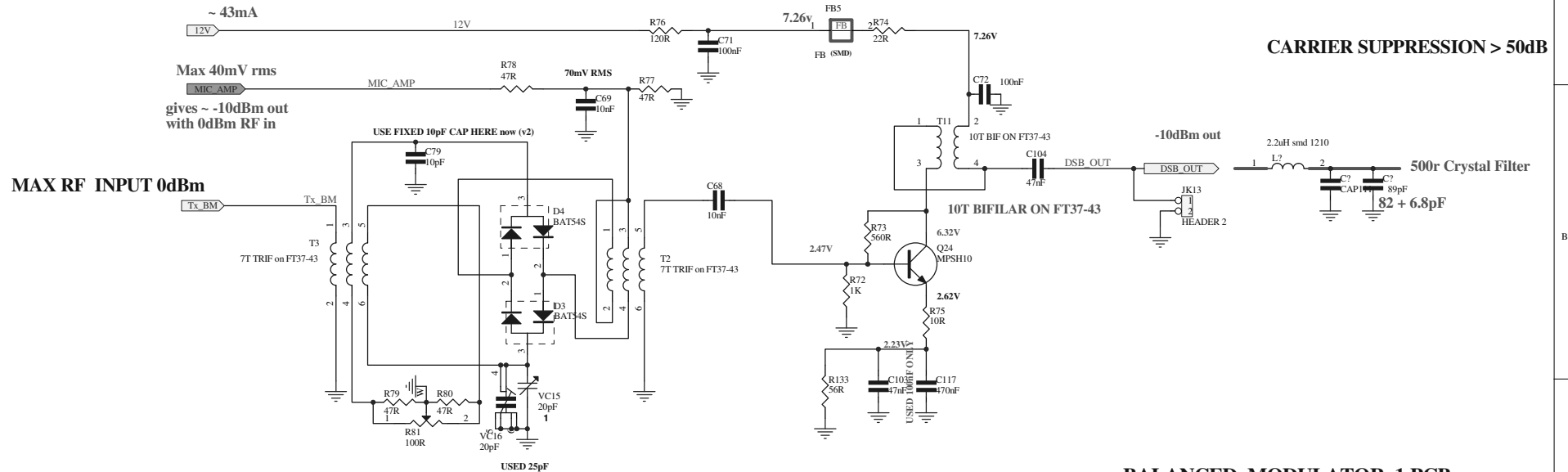
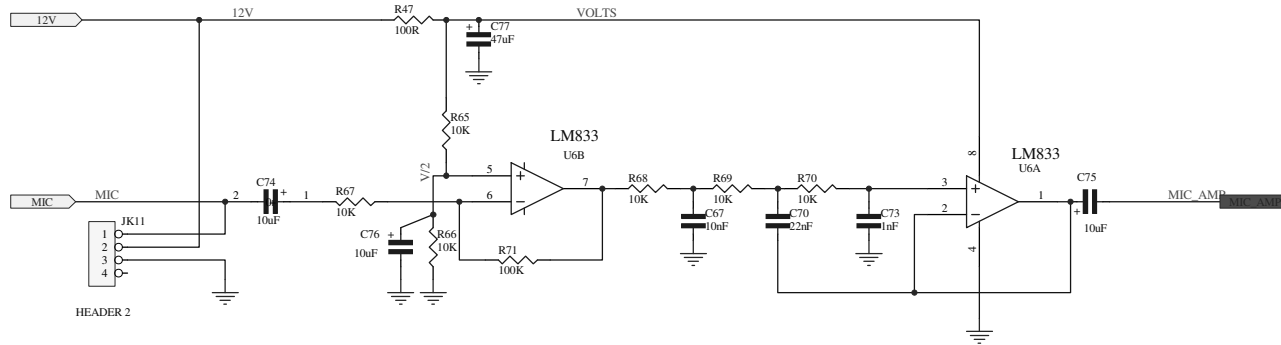


# ED SKELTONS TRANSCEIVER PAGE 7 - BALANCED MOD

**NB: output stage is different**



**CARRIER SUPPRESSION > 50dB**

**BALANCED\_MODULATOR\_1.PCB**

**02/04/18 V2.0 CORRECTED OP AMP BIAS AND MISSING GROUND ON POT WIPER**

**MAR 2018**

**Etched 310318**