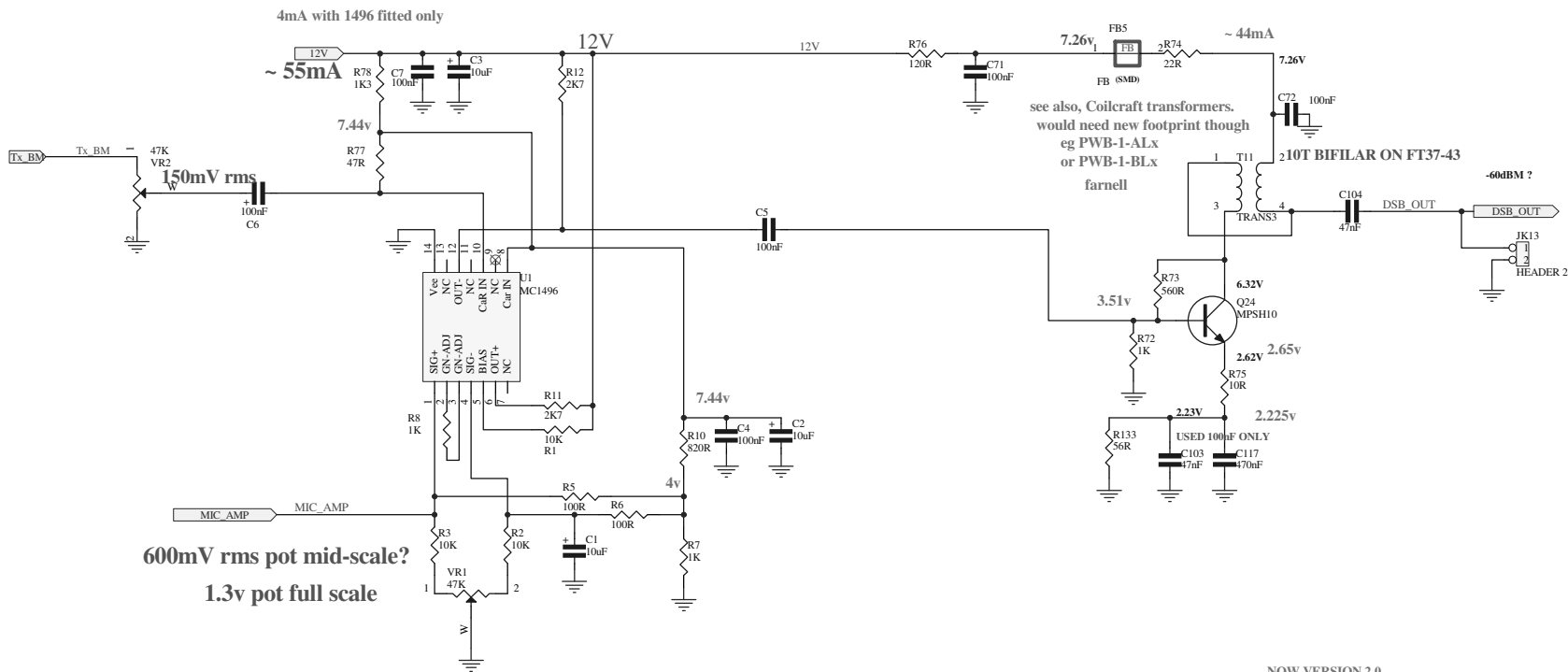
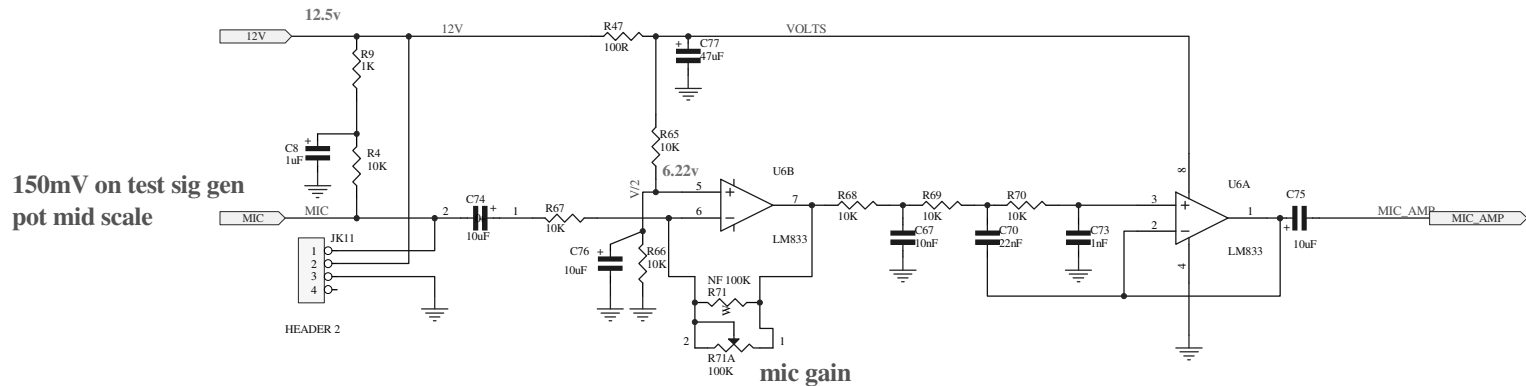


ED SKELTONS TRANSCEIVER book, PAGE 7 - BALANCED MOD >> now MC1496 V2.0



600mV rms pot mid-scale?
1.3v pot full scale

NOW VERSION 2.0
BUT VERSION 1 WAS PRO MADE AND TESTED
260418 RF AND AF WERE SWAPPED ON THE SCH !!
APRIL 19TH 2018
BALANCED_MODULATOR_MC1496_1.PCB
MAR 2018