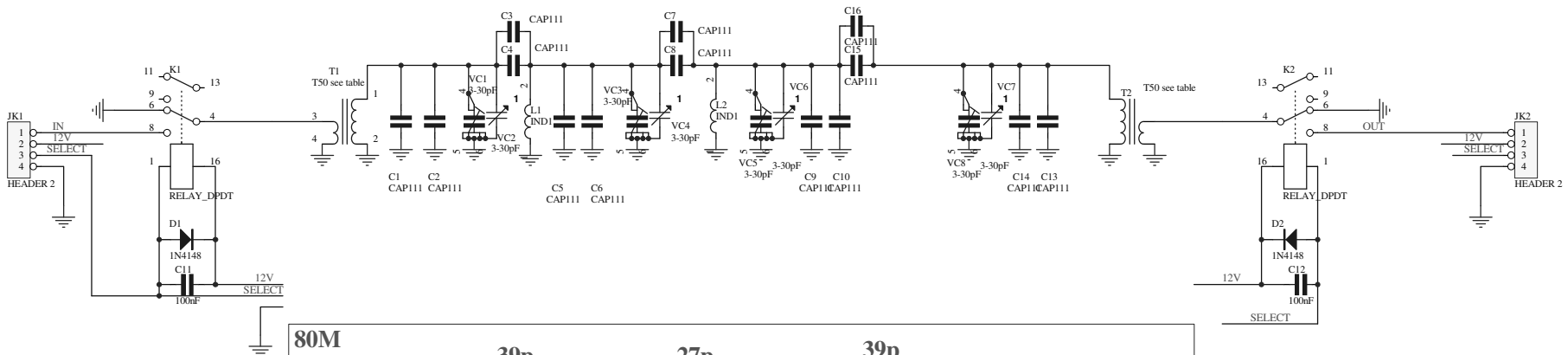


# EAMON, EI9GQ's BPF modules Page25



|        |                  |           |     |      |     |       |
|--------|------------------|-----------|-----|------|-----|-------|
| 80M    |                  |           |     |      |     |       |
| 8, 28t | 330p             | 39p       | 27p | 330p | 39p |       |
| T50-2  | 4.5uH (all 330p) | 28t T50-2 |     |      |     | BUILT |

|           |               |       |       |           |           |  |
|-----------|---------------|-------|-------|-----------|-----------|--|
| 40M       |               |       |       |           |           |  |
| 180p+TRIM | 10pF          | 6.8pF | 10pF  | 180p+TRIM | 180p+TRIM |  |
| 2.2uH     | 2.2uH         | 2.2uH | 2.2uH | 2.2uH     | 2.2uH     |  |
| 4,21T     | 65pF TRIMMERS |       |       |           | 4,21T     |  |

20M  
6M  
T50-6

values depend on band

010418