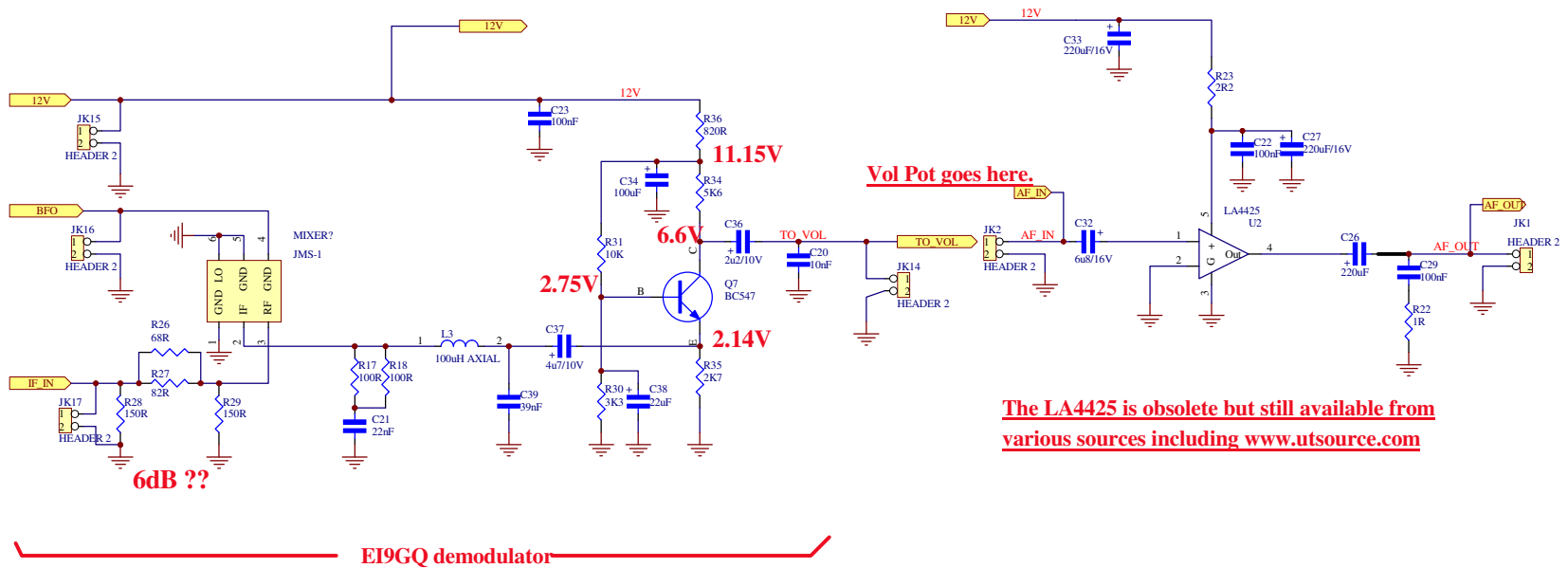


PROD DETECTOR AND AF AMP FOR 50x50mm PCB

based on EI9GQ, ED SKELTON BOOK

AF Power amp is by vk3pe



to a PCB and a panel of 4 gerbers made sent to JLCPCB on the 17th Jan 2019
17TH JAN 2019