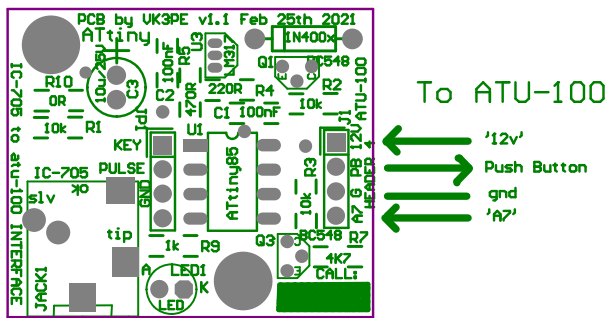


Parts overlay for ATU-100 interface

NOTE the outline for U3 is incorrect,
'flat' should be on RH side.



↓
3.5mm stereo, wire 1:1 to IC-705