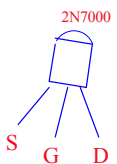
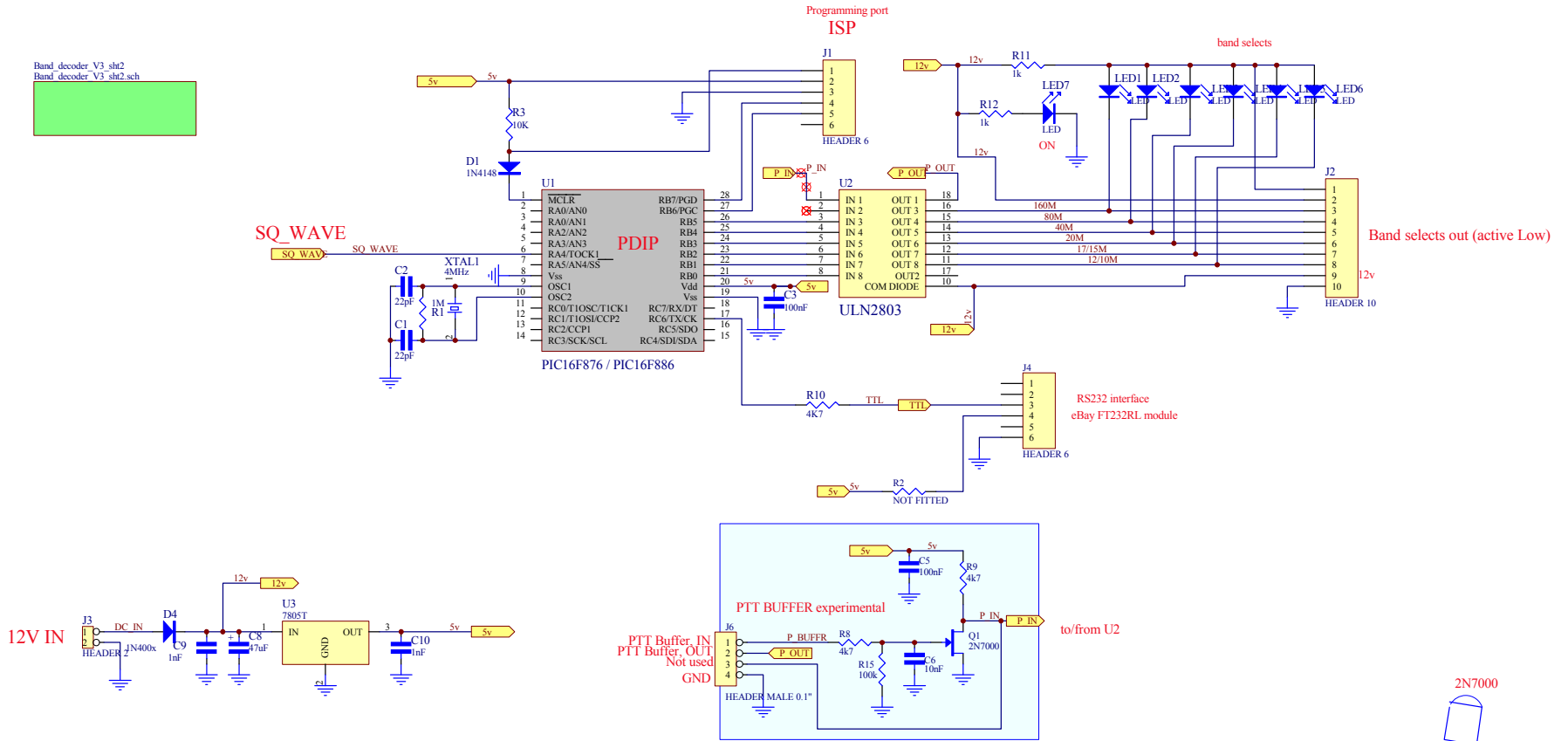


# Auto RF LPF SWITCHING

## by WB9IXS

Band decoder V3\_sht2  
Band decoder V3\_sht2.sch



Original source code by Jim Cass (WB9IXS), modified by Ric to use PIC16F876 in addition to original PIC16F886

Mar 13th Vers 3 corrected TLV3501 footprint holes for 7805 too small in bds sent out

270221 ADDED BUFFER  
drawn 14th sept 2020

SEE JIM'S YOUTUBE VIDEO T "<https://www.youtube.com/watch?v=pxg0sUj3-38>"

VK3PE

Title <b>Band decoder Micro</b>		DRAWN BY: VK3PE	
Size: A3	Date: 4-May-2021	Sheet of 1	(C) 2007-2019
	Time: 10:08:58	of 2	