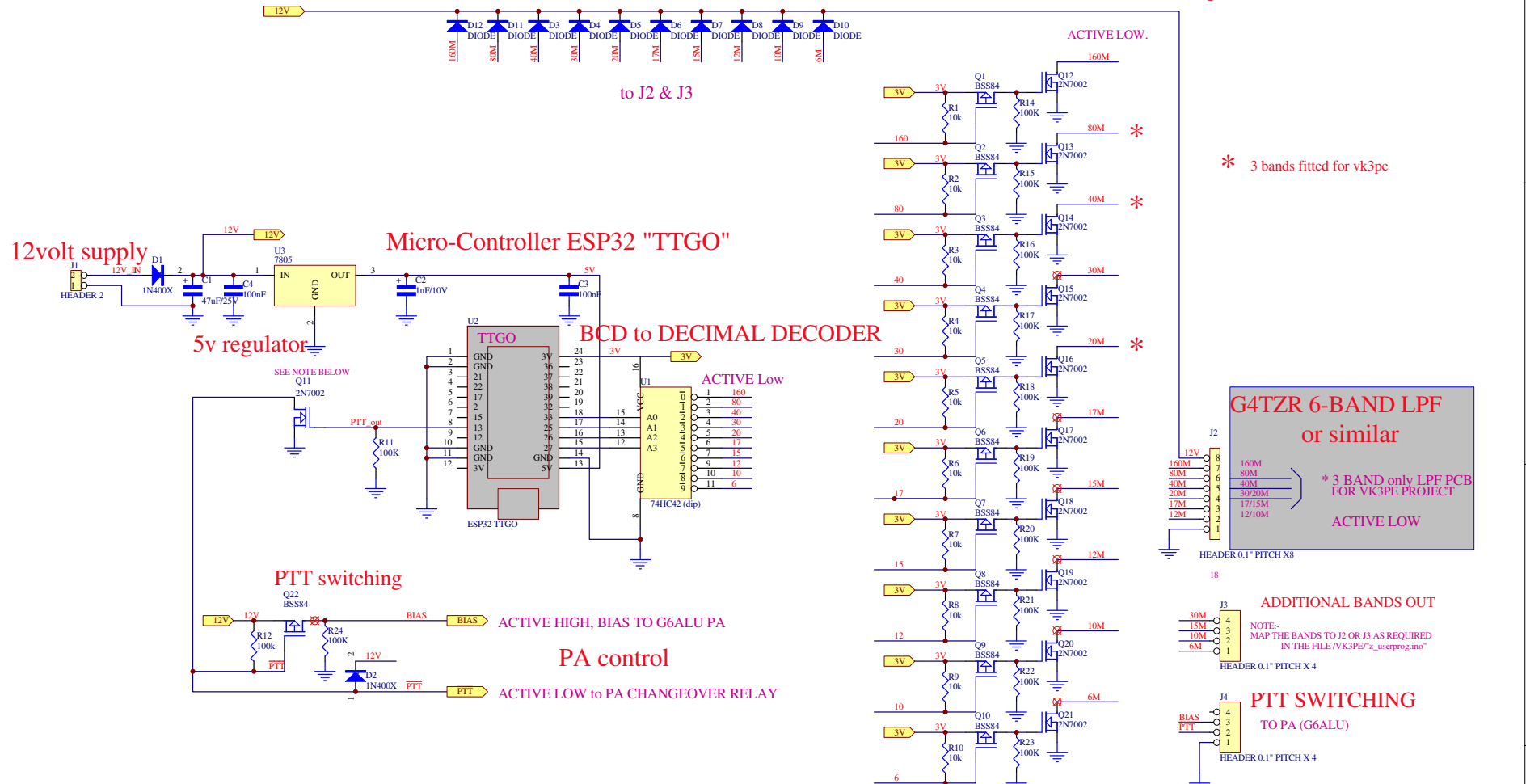


IC-705 Bluetooth interface to external PA & LPF.

LPF LOGIC LEVEL Switching



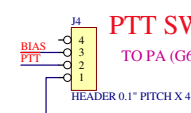
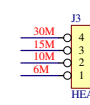
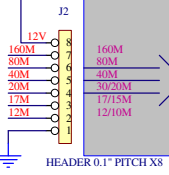
* 3 bands fitted for vk3pe

G4TZR 6-BAND LPF or similar

* 3 BAND only LPF PCB FOR VK3PE PROJECT

ACTIVE LOW

160M	8
80M	7
40M	6
30/20M	5
17/15M	4
12/10M	3



Designed to switch LPF active LOW with 12v relays.

software is available at Wilfrieds (DK8RW) Github acct.:
https://github.com/WillyIobrok/CIV_template/Examples

V1.0 board, vk3pe June 2022

Title IC-705 BLUETOOTH LPF & PTT SWITCHING			
Size: A3	Number:	Revision: Version 1.0 June 2022 (C) VK3PE 2022	
File:	Date: 20-Jun-2022	Time: 11:03:49	Sheet 1 of 1