

# IC-705 PTT interface (Original by Ron Cook, VK3AFW)

Original Schematic COURTESY RON COOK, VK3AFW

Optional Relay added VK3PE

NOTE: The original Schematic by vk3afw would activate the PTT output if the input (ie the IC-705) is off or not connected.

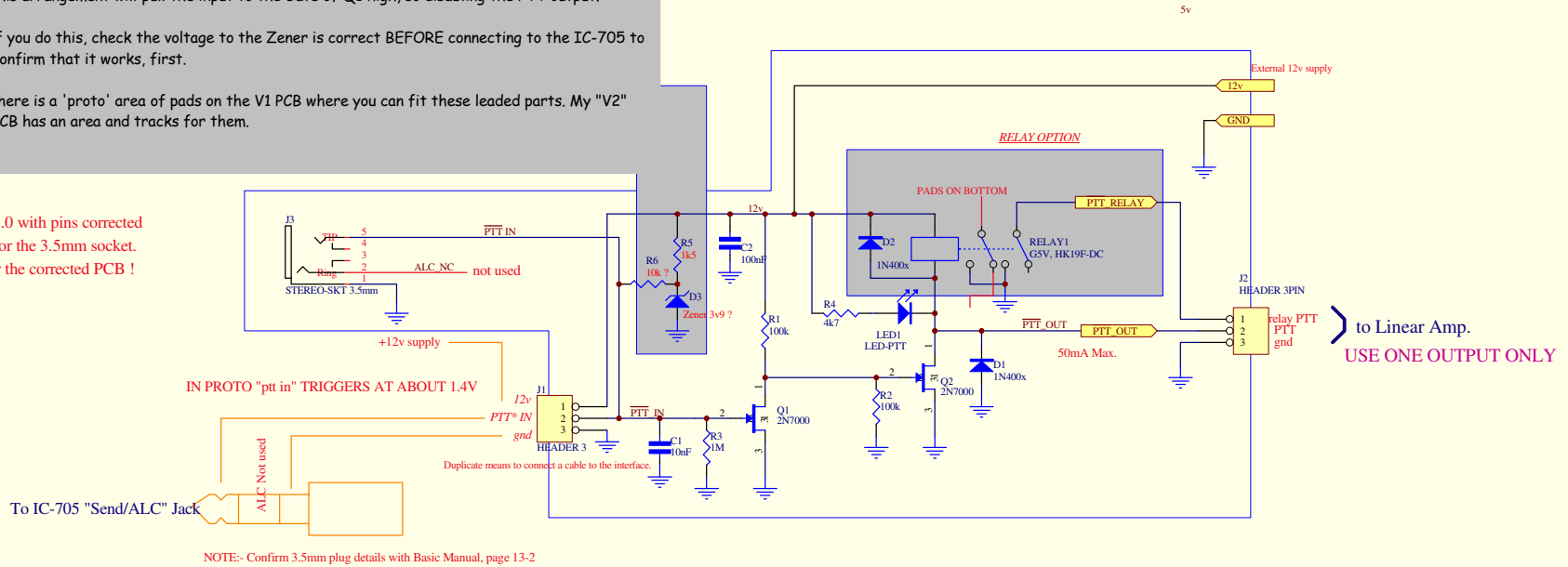
To overcome this, although not yet tried, you could add a Zener (D3) and resistor (R5 & R6) as shown here.

This arrangement will pull the input to the Gate of Q1 high, so disabling the PTT output.

If you do this, check the voltage to the Zener is correct BEFORE connecting to the IC-705 to confirm that it works, first.

There is a 'proto' area of pads on the V1 PCB where you can fit these leaded parts. My "V2" PCB has an area and tracks for them.

This is now V2.0 with pins corrected for the 3.5mm socket. Refer to V2.0 for the corrected PCB !



to Linear Amp.  
USE ONE OUTPUT ONLY

Verify ALL CONNECTIONS before connecting to your IC-705 !!

5th Nov 2021: added text for external 12v supply.  
PCB is "IC-705\_PTT\_190421\_V2.PCB" OR LATER DATE

Apr 16th 2021:- corrected v1 PCB, NOW >> V2.0 3.5mm skt  
19th Apr 2021 updated see text box

Feb 11th 2021 add 3.5mm to PCB -> 'V1' board  
Oct 23rd added relay option

041020 drafted

TEST "W6LJ" TRF24 AMP:-  
-10% power setting, IC-705 POWER (12V) --> MORE THAN 35w OUT (rtty MODE.)  
ON 12V BATTERY

Title <b>IC-705 PTT out buffer</b>			
Size: A3	Number:	Revision: V1 OR V2.X	PCB'S (C) VK3PE 2021
File:	Date: 26-Jan-2022	Time: 11:42:26	Sheet 1 of 1