

IC-705 PTT interface (Original by Ron Cook, VK3AFW)

Original Schematic COURTESY RON COOK, VK3AFW

Optional Relay added VK3PE

NOTE: The original Schematic by vk3afw would activate the PTT output if the input (ie the IC-705) is off or not connected.

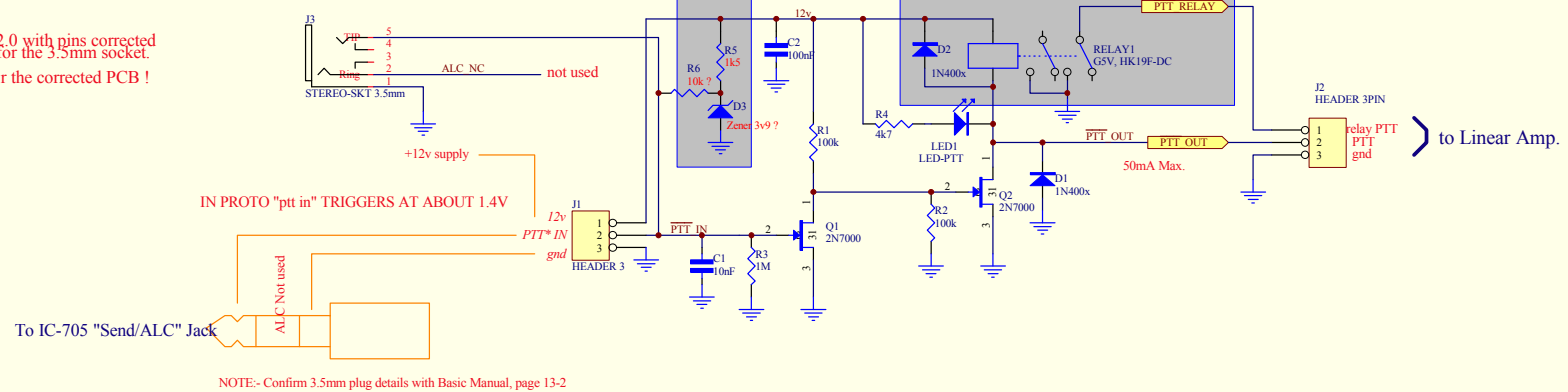
To overcome this, although not yet tried, you could add a Zener (D3) and resistor (R5 & R6) as shown here.

This arrangement will pull the input to the Gate of Q1 high, so disabling the PTT output.

If you do this, check the voltage to the Zener is correct BEFORE connecting to the IC-705 to confirm that it works, first.

There is a 'proto' area of pads on the PCB where you can fit these leaded parts.

This is now V2.0 with pins corrected for the 3.5mm socket.
Refer to V2.0 for the corrected PCB !



Verify ALL CONNECTIONS before connecting to your IC-705 !!

PCB is "IC-705_PTT_190421_V2.PCB"

Apr 16th 2021:- corrected PCB >> V2.0 3.5mm skt

19th Apr 2021 updated see text box
Feb 11th 2021 add 3.5mm to PCB -> 'V1' board
Oct 23rd added relay option

041020 drafted

TEST "W6JL" IREZ24 AMP:-
~ 10% power setting, IC-705 POWER (12V) ->> MORE THAN 35w OUT (tty MODE)
ON 12V BATTERY

Title IC-705 PTT out buffer		Revision: 1.0		(C) VK3PE 2021	
Size: A3	Number:	Date: 6-May-2021	Time: 09:23:38	Sheet 1	of 1
File:					