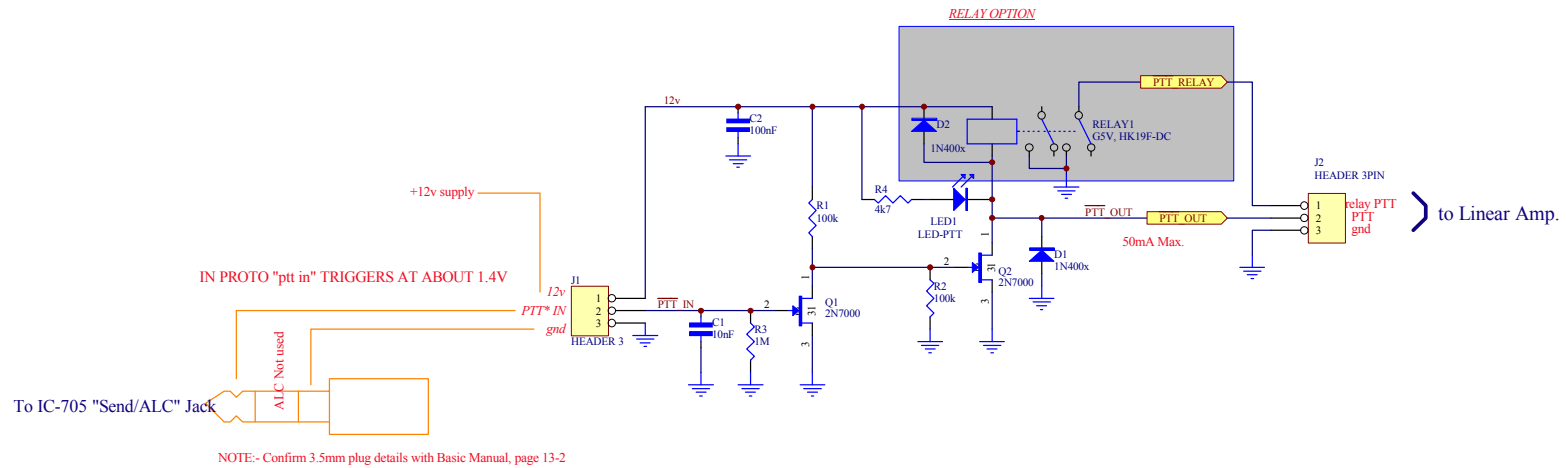


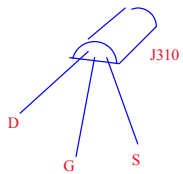
IC-705 PTT_interface by Ron Cook (VK3AFW)

Original Schematic COURTESY RON COOK, VK3AFW

Optional Relay added VK3PE



Verify before connecting to your IC-705 !!



Oct 23rd added relay option

041020 drafted

TEST IREZ24 AMP.-
 ~ 10% power setting, IC-705 POWER (12V) ---> MORE THAN 35w OUT (rtty MODE).
 ON 12V BATTERY

Title: IC-705 PTT out buffer		DRAWN BY: VK3PE	
Size: A3	Date: 1-Dec-2020 Time: 13:57:00	Sheet of 1	(C) 2007-2019