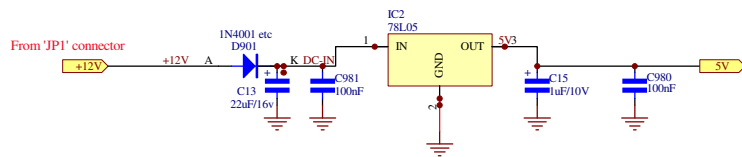
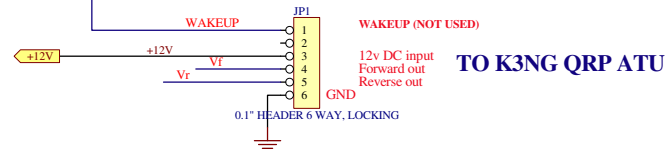
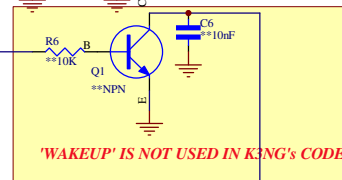
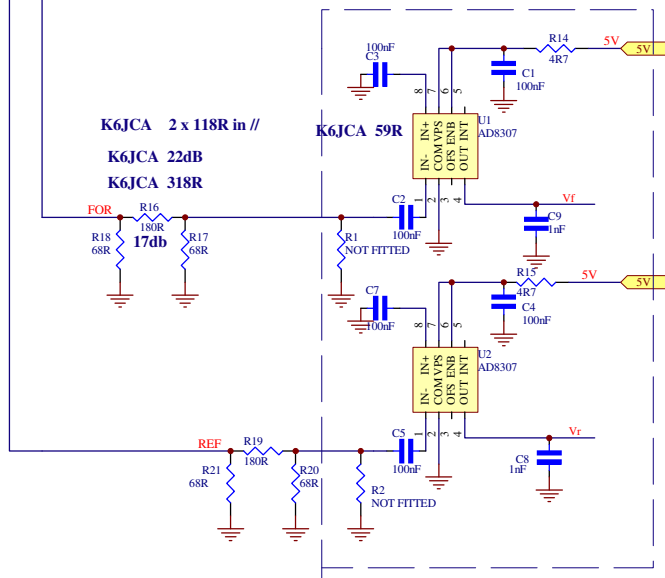


NOTE 3) ON CONTROL BOARD SCH:-
 ** NOTE R3 & R4 on control board should be changed from 10k to 1M or the slope of the AD8307 is flected



250617 FOR PCB VERSION 2.1a
 add 1nf cap on Vf & Vr

Title	DRAWN BY: vk3pe	
Size: A3	Date: 17-Dec-2018 Time: 13:55:47	Sheet 1 of 1