

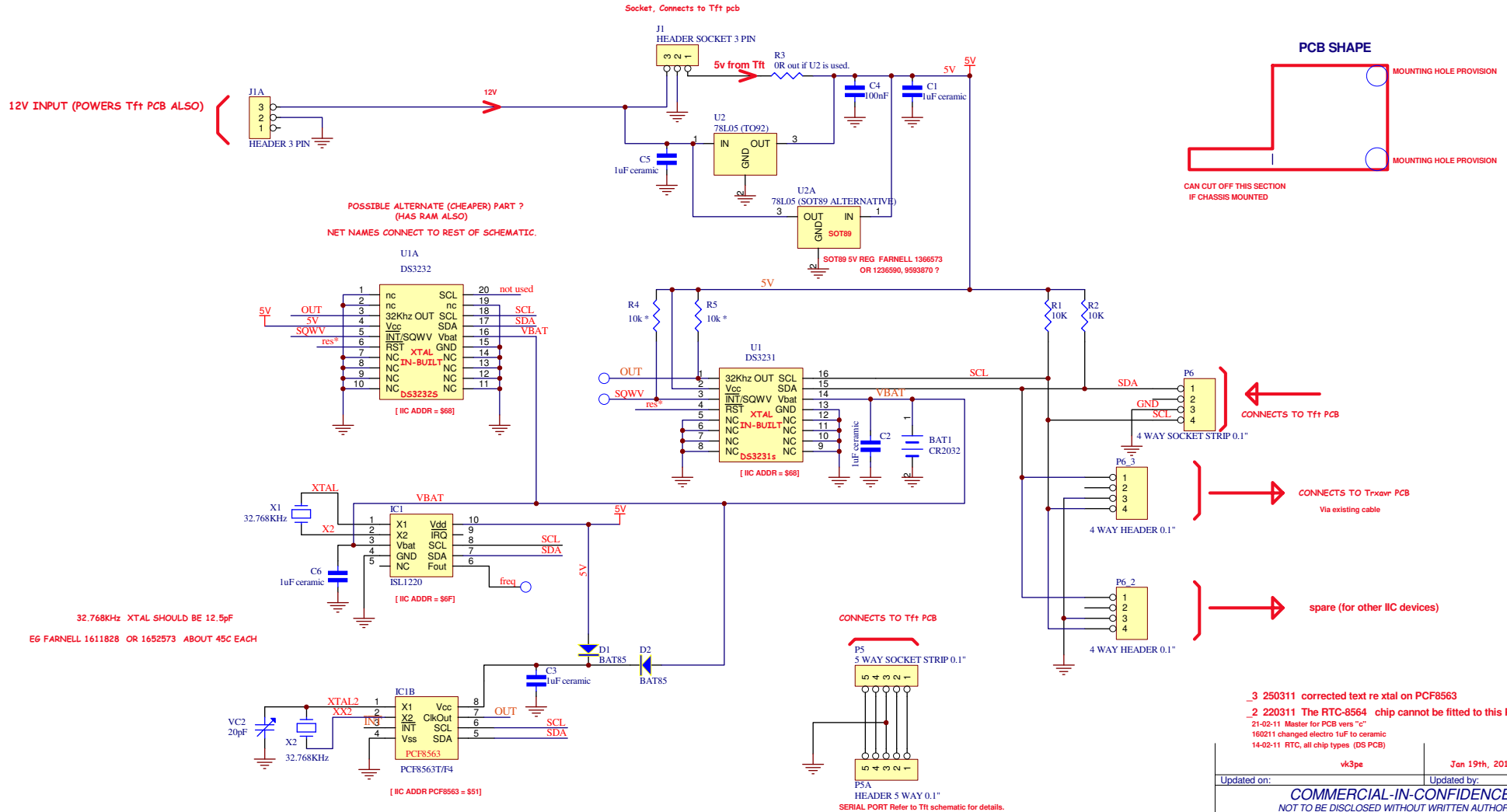
DS3231 or DS3232 OR ISL1220 OR PCF8563 REAL TIME CLOCK FOR Trxavr / TftA

This version caters for most RTC chips but uses a DS Plated through PCB

NOTE: RTC-8564 IC cannot be used.

25-03-11

This PCB mounts on the back of the TFT PCB, ensure you have space to mount it.
For other displays, you will need to chassis mount the PCB, see drawing.



'ROCKBY' REFERS TO www.rockby.com.au
'JAYCAR' is www.jaycar.com.au
FARNELL is www.farnell.com