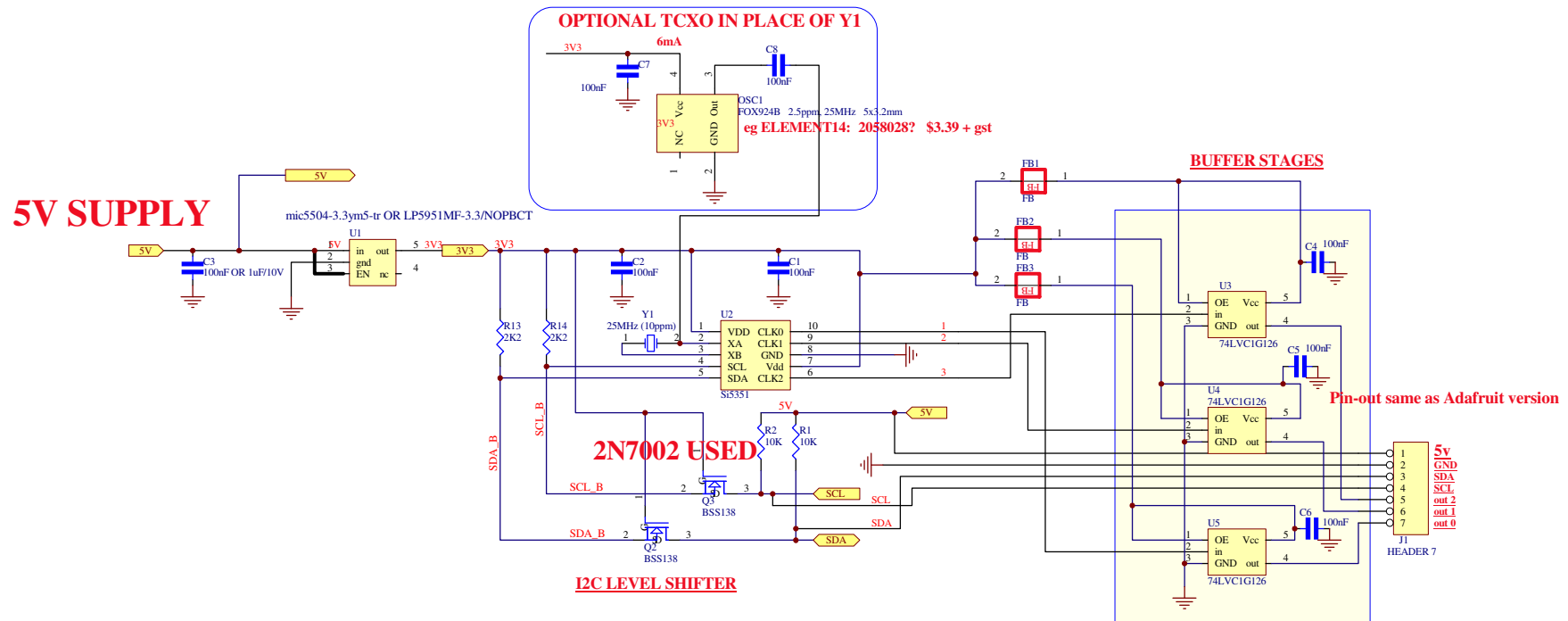


# VK3PE's Si5351 adapter board (Similar to Adafruit version)

## v2 BUFFERED VERSION



PCB IS: Si5351\_adapter\_2\_BUFFERED\_FILTERED-DC\_master.PCB

now V2

v1.0 290718 sent to jlcpcb.com to be made

vk3pe

Title	DRAWN BY:	
Size: A3	Date: 8-Jan-2019	VK3PE
Time: 10:30:15	Sheet 0 of 0	(C) 2007-2018 and on