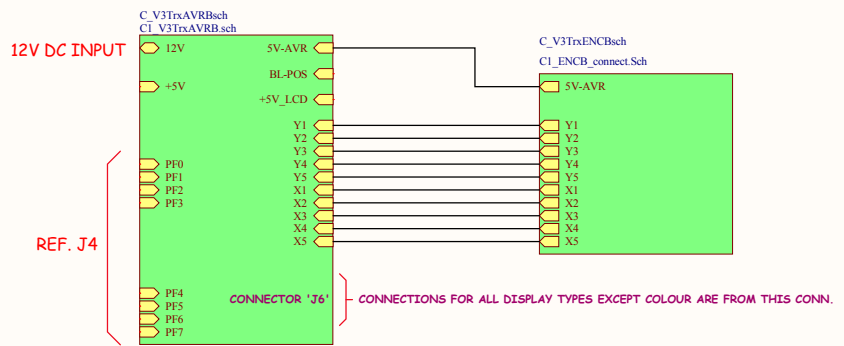


TrxavrB for Combo PICaSTAR

this is the "simple" version for COMBO Panel only

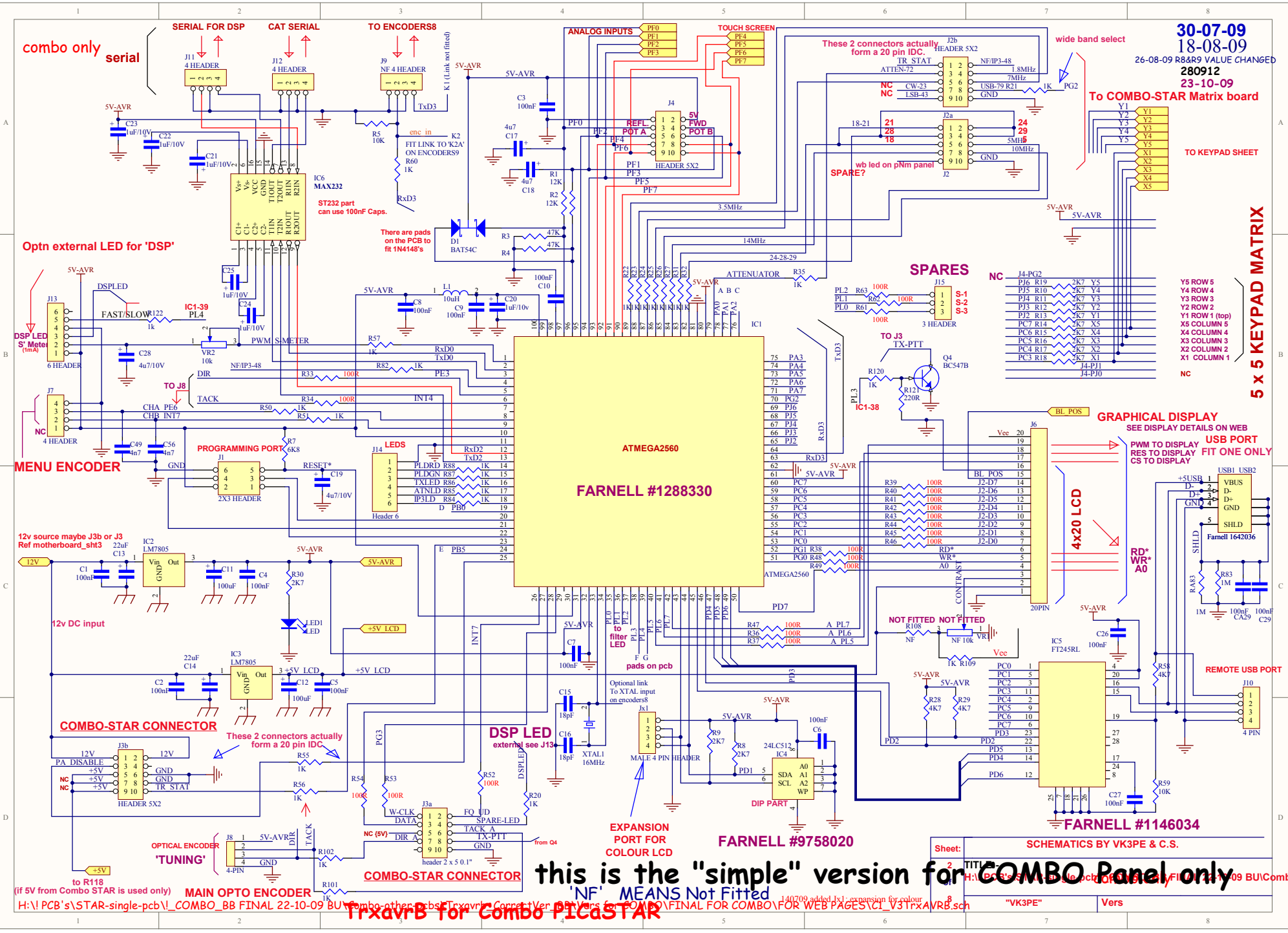


PONYPROG PROGRAMMER PCB

C:ATMEGA\_PGMER\_PONY-6\_PIN  
 CI:ATMEGA\_PGMER\_PONY-6\_PIN.Sch



Sheet:	SCHEMATICS BY VK3PE & C.S.	
0	TITLE:-	
0	"VK3PE"	Vers



30-07-09  
18-08-09  
26-08-09 RB&R9 VALUE CHANGED  
280912  
23-10-09

To COMBO-STAR Matrix board  
TO KEYPAD SHEET

5 x 5 KEYPAD MATRIX

Y5	ROW 5
Y4	ROW 4
Y3	ROW 3
Y2	ROW 2
Y1	ROW 1 (top)
X5	COLUMN 5
X4	COLUMN 4
X3	COLUMN 3
X2	COLUMN 2
X1	COLUMN 1

NC

GRAPHICAL DISPLAY  
SEE DISPLAY DETAILS ON WEB  
PWM TO DISPLAY  
RES TO DISPLAY  
CS TO DISPLAY

USB PORT  
FIT ONE ONLY

REMOTE USB PORT

**this is the "simple" version for COMBO Panel only**

'NF' MEANS Not Fitted

MAIN OPTO ENCODER  
COMBO-STAR CONNECTOR

COMBO-STAR CONNECTOR

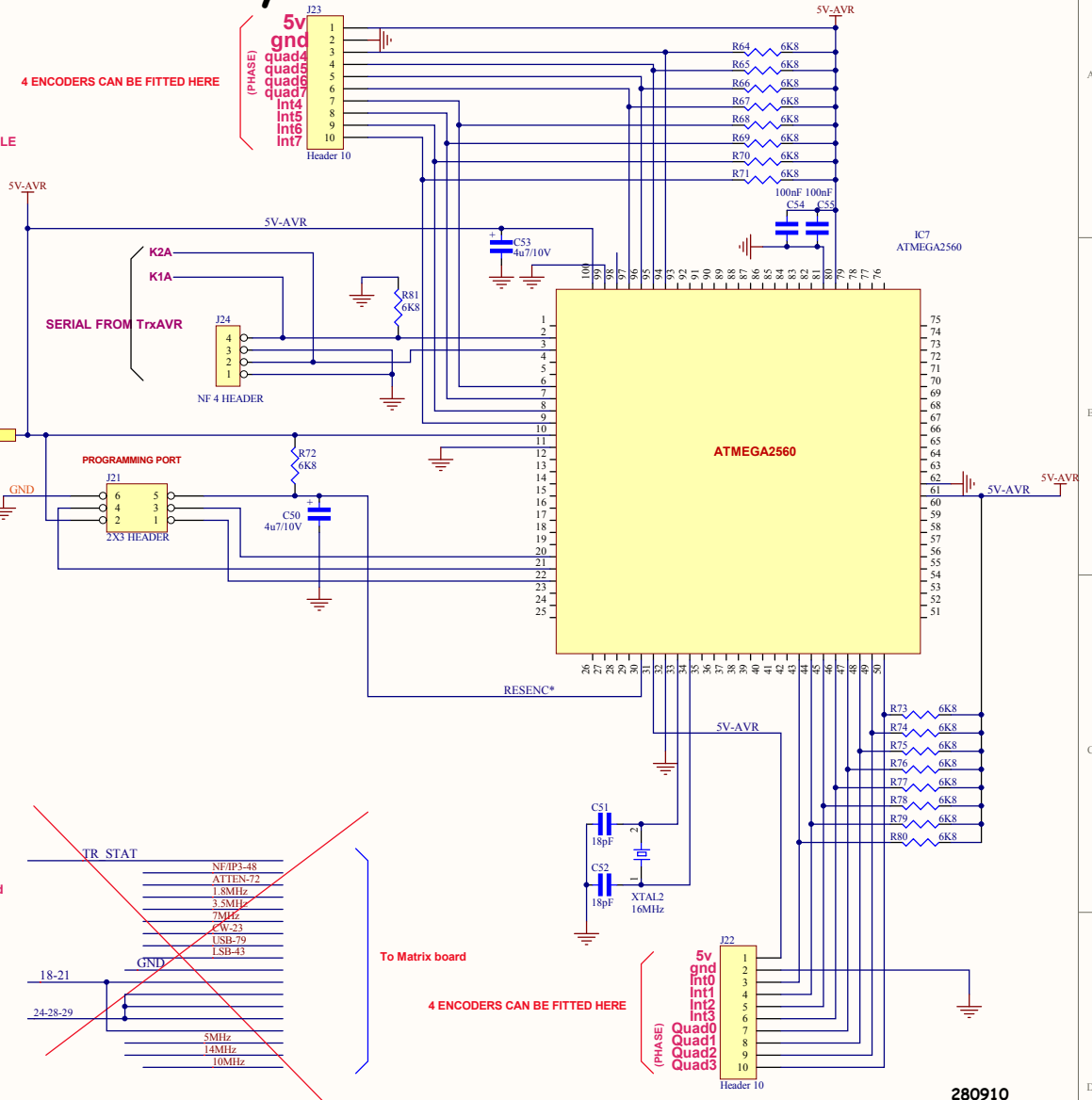
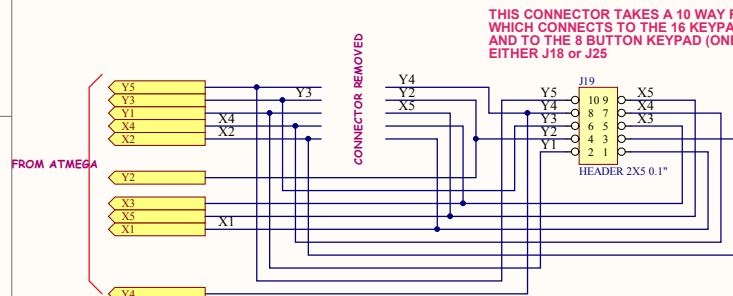
Sheet:	SCHEMATICS BY VK3PE & C.S.	
TITLE:	H:\PCB's\STAR-single-pcb\COMBO_BB_FINAL 22-10-09 BU\combo-ather-pcb\TxavrB\Comptv\Part\Yrs for COMBO\FINAL FOR COMBO\FOR WEB PAGE\V31\TxAVR8.sch	
"VK3PE"	Vers	

this is the "simple" version for COMBO Panel only

# ENCODER-8 INTERFACE

231009

TrxavrB for Combo PICaSTAR



DISPLAY

SUPPLY

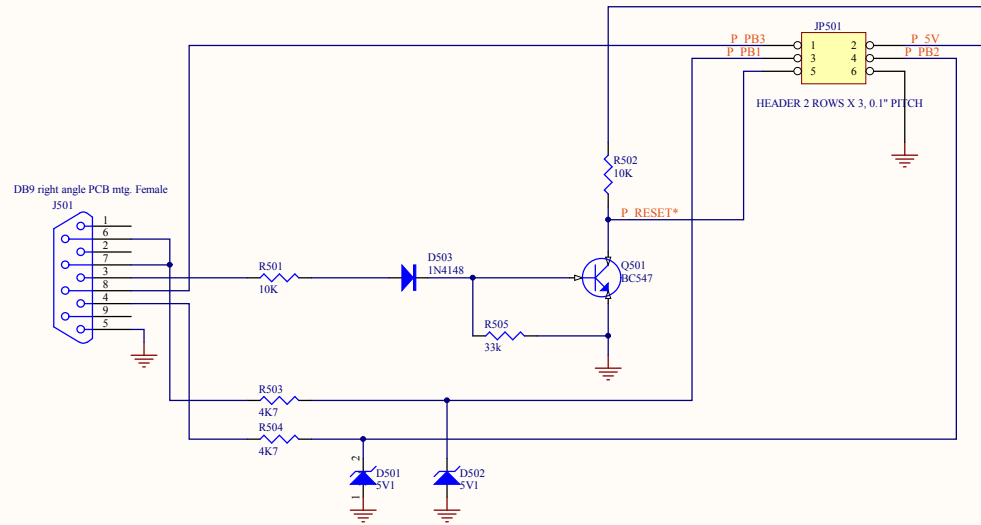
DIM

'NF' MEANS Not Fitted

Sheet:	SCHEMATICS BY VK3PE & C.S.		
3	TITLE:-	H:\PCB's\STAR-single-pcb\COMBO_BB FINAL 22-10-09 BU\Combo-	
of	H:\PCB's\STAR-single-pcb\COMBO_BB FINAL 22-10-09 BU\Combo-other-pcbs\TrxavrB_CorrectVer_BB\Vers for COMBO\FINAL FOR COMBO\FOR WORKING PCB\COMBO_BB FINAL 22-10-09 BU\Combo_BB FINAL 22-10-09 BU\Combo-Connect_Sch		
	"VK3PE"	Vers	

# ATMEL PROGRAMMER - PONYPROG

## TrxavrB for Combo PICaSTAR



280911

220609 6 PIN VERSION ONLY

H:\! PCB's\STAR-single-pcb!\\_COMBO\_BB\_FINAL 22-10-09 BUC\Combo-01er-pcb\TrxavrB\_CorrectVer\_BB\_Vers for COMBO\FINAL FOR COMBO\FOR WEB PAGE\VC1 - ATMEGA\_PGMR\_PONYPROG\_SCH.EMPL BY VK3PE & C.S.

**this is the "simple" version for COMBO Panel only**

'NF' MEANS Not Fitted

8	TITLE:-
of	H:\! PCB's\STAR-single-pcb!\_COMBO_BB_FINAL 22-10-09 BUC\Combo-
8	"VK3PE" Vers