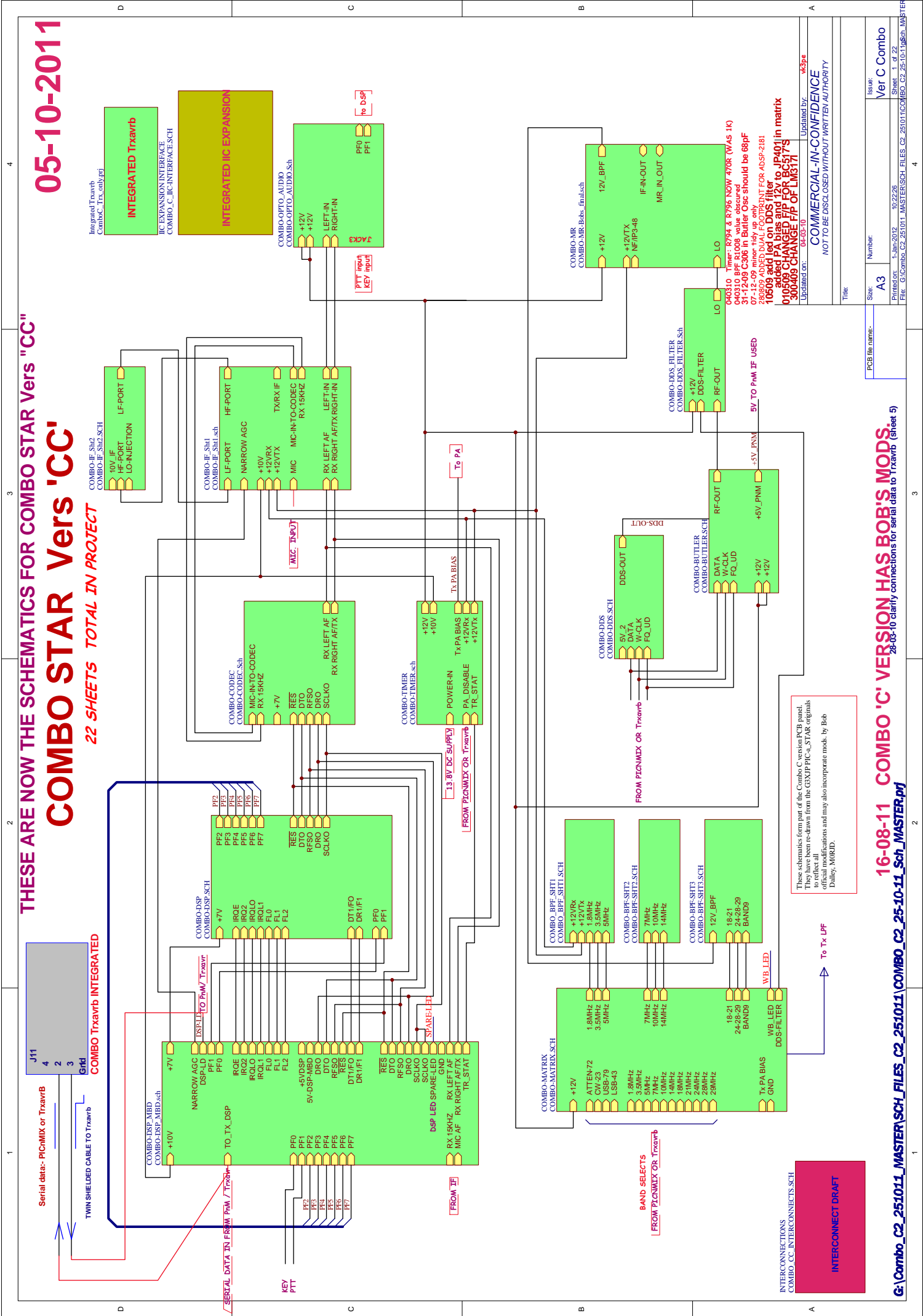


THESE ARE NOW THE SCHEMATICS FOR COMBO STAR Vers 'CC' COMBO STAR Vers 'CC'

22 SHEETS TOTAL IN PROJECT

05-10-2011



INTERCONNECTS
COMBO_CC_INTERCONNECTS.SCH

INTERCONNECT DRAFT

These schematics form part of the Combo C version PCB panel.
This version re-derives from the GSNXPIC-C-STAR originals
to reflect all official modifications and may also incorporate mod. by Bob
Dalley, MORLD.

16-08-11 COMBO 'C' VERSION HAS BOB'S MODS.
28-05-10 clarify connections for serial data to Txavrb (sheet 5)

G:\Combo_C2_251011_MASTER\SCH_FILES_C2_251011\COMBO_C2_251011_Sch_MASTER.ppt

Issue:	Ver C Combo
Sheet:	1 of 22
Printed on:	1-Jun-2012 10:22:28
File:	G:\Combo_C2_251011_MASTER\SCH_FILES_C2_251011\COMBO_C2_251011_Sch_MASTER.ppt

Updated on: 04-03-10
COMMERCIAL-IN-CONFIDENCE
NOT TO BE DISCLOSED WITHOUT WRITTEN AUTHORITY

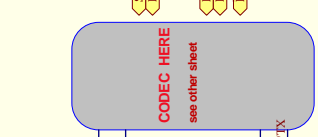
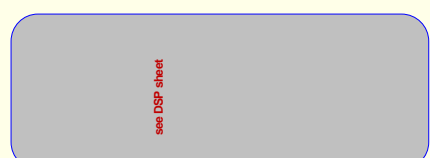
Updated by: vk3pe
04-03-10

040310 Timer: B794 & B795 NOW 470R (Was 1K)
040310 BPF r1008 value obscured
31-12-09 C306 in Butler Osc should be 88pF
07-12-09 minor tidy up only
200909 ADDED DUAL PORTS UNIT FOR ADSP-2181
108909 ADDED PA BIAS AND 12V TO PNM IN MATRIX
010509 CHANGED F/P FOR BC517'S
300409 CHANGE F/P OF LM3171

PICaSTAR "MOTHER BOARD" section FOR DSPHESE ARE THE SCHEMATICS FOR COMBO STAR 'C'

28-03-10

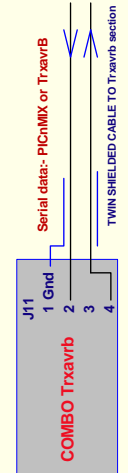
MOUSER 595-TLC7524CD \$6.20



These schematics form part of the Comba C version PCB panel. They have been re-drawn from the GXP/PICaSTAR originals to reflect all official modifications and may also incorporate mods. by Bob Dalley, MORLD.

NOTE: the DPDT switch is a horizontal action switch. refer to WAWW ALTRONICS COM-AU Cat number 51360 for drawing. These switches also carried by Farnell. eg CAK type 7701MDSABE (check it) Farnell 957-4766 (check it!) You can wire in to the PCB any suitable switch if you wish.

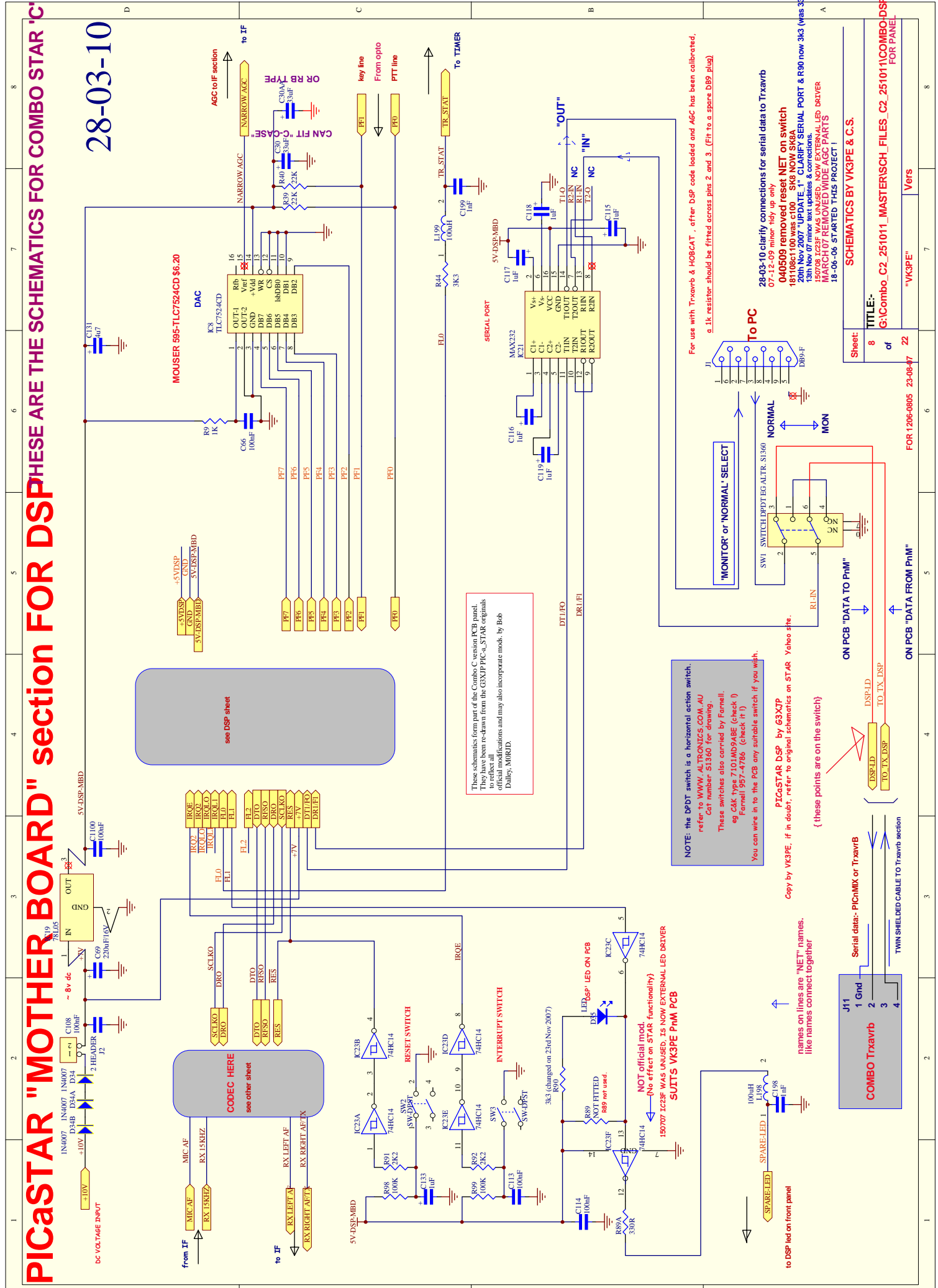
PICaSTAR DSP by 63XTP Copy by VK3PE, if in doubt, refer to original schematics on STAR. Yelco site. (these points are on the switch)



For use with Trxavrb & HOBCAT, after DSP code loaded and AGC has been calibrated, a 1k resistor should be fitted across pins 2 and 3. (Fit to a spare DB9 plug)

28-03-10 clarify connections for serial data to Trxavrb
07-12-09 minor tidy up only
040509 removed reset NET on switch
1810oct100 was c100 - SK8 NOW SK8A
20th Nov 2007 UPDATE - CLARIFY SERIAL PORT & R90 now 3k3 (was 330R)
150708 IC23F WAS UNUSED, NOW EXTERNAL LED DRIVER
MARCH 07 REMOVED WIDE AGC PARTS
18-06-06 STARTED THIS PROJECT!

Sheet:	8
TITLE:-	G:\Combo_C2_251011_MASTERISCH_FILES_C2_251011\COMBO-DSP_MBD.sch FOR PANEL
of	22
Vers	"VK3PE"
FOR 1266-0805	23-08-07

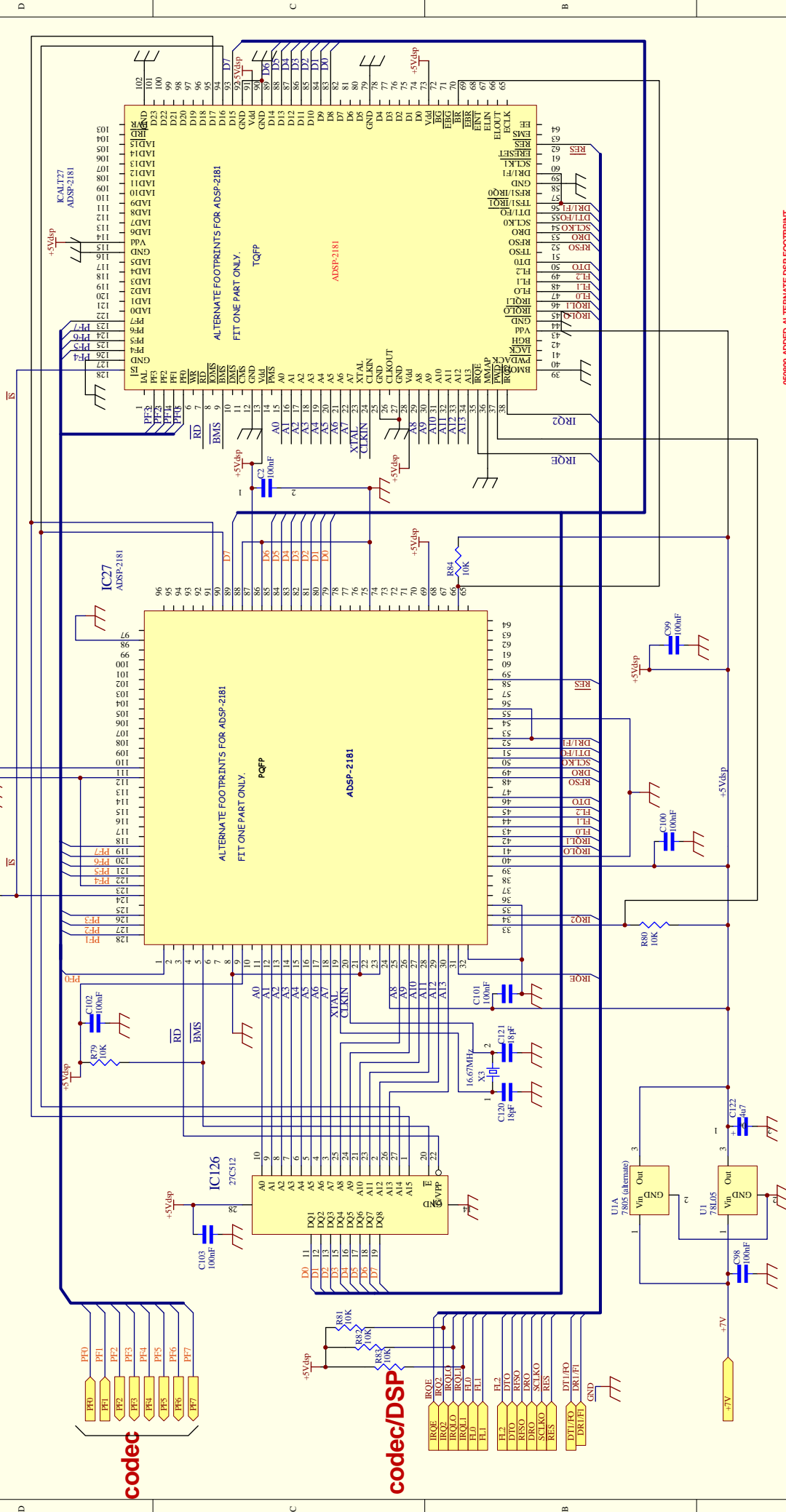


original build Vers 1.0 POWERED UP 17-07-06 !
 MOTHER BOARD AND DSP ONLY
 LED FLASHES !!!
 DRAWS ABOUT 112mA
 PRESS RESET, DRAWS ABOUT 33mA

12-11-09

prefix 100

THESE ARE THE SCHEMATICS FOR COMBO STAR 'C'



056809 ADDED ALTERNATE DSP FOOTPRINT
 14-01-09
 181108 IC26 NOW IC126
 16-11-08 added alternate U1 device (7805)
 19-08-07 changed to dual 1206-0805 footprints
 230207 VER 2 UPDATES AFTER PROTO BUILD
 230606 drawn.

These schematics form part of the Combo C version PCB panel. They have been re-drawn from the G5XP PCB₀ STAR originals to reflect all modifications, and may also incorporate needs, by Bob Daley, W0RBD.

Sheet:	9
of	22
TITLE:- G:\Combo\251011_MASTERSCH_FILES_C2_251011\COMBO-DSP.SCH	
SCHEMATICS BY VK3PE & C.S.	
"VK3PE" Vers	

DSP section for PICaSTAR
 Copy by VK3PE, for Master, refer to original schematics on STAR Yahoo site.

PICaSTAR CODEC section

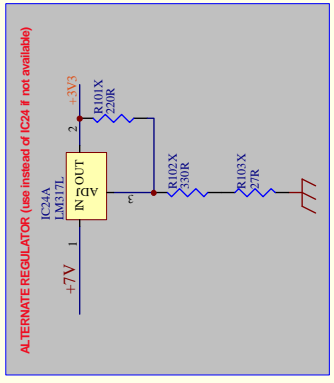
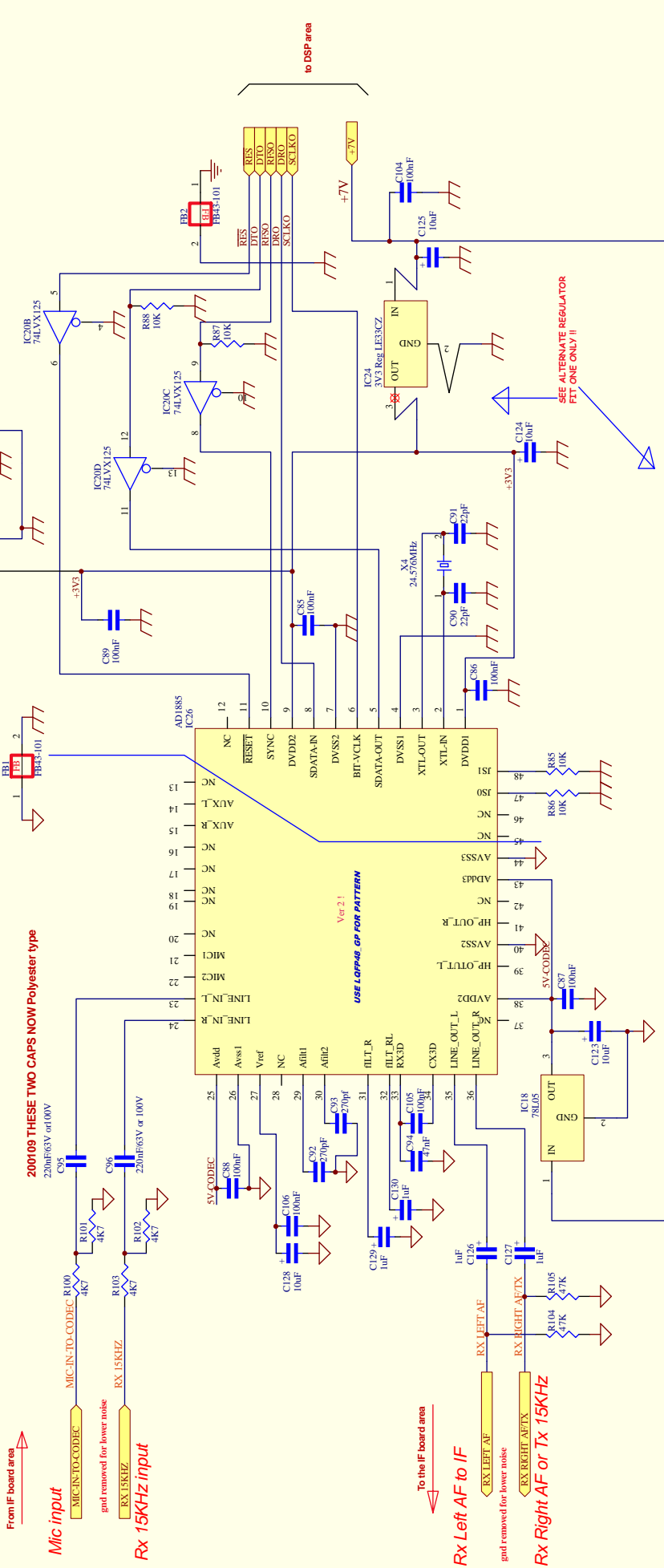
THESE ARE THE SCHEMATICS FOR COMBO STAR 'C'

ORIGINAL SCHEMATIC BY G3XJP
THIS VERSION BY VK3PE & C.S.

12-11-09
02-08-2011

prefix mostly <100

FIT FERRITE BEAD here!



PLEASE DOUBLE CHECK VOLTAGES TO CODEC BEFORE
FITTING THE CHIP !!

These schematics form part of the Combo, Cusion and PCB panels. They have been re-drawn from the G3XJP PICaSTAR originals to reflect all official modifications and may also incorporate work by Bob Daley, MORJD.

20-01-09 change 2 caps to poly at input
04-02-08 Vers 'B'- fix LM317 and AD1885 footprints
Update_1 31-10-07 IC24A PINOUT IS WRONG
040807 changed C123 to oval type cap AND added alternate 3v3 reg

SCHEMATICS BY VK3PE & C.S.

10 TITLE:-
of G:\Combo_C2_251011_MASTERISCH_FILES_C2_251011\COMBO-CODEC.Sch

22 Vers

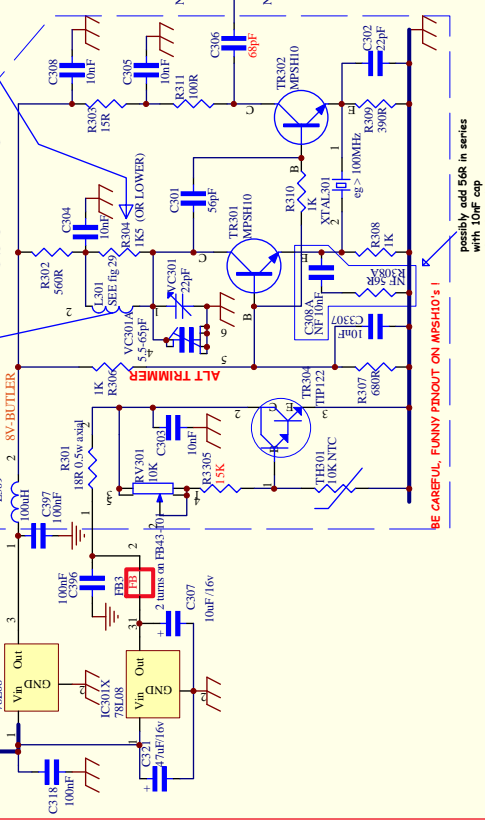
Schematic by VK3PE but please also refer to original by G3XJP on Yahoo STAR site
codec_ver_a_300807.pcb.PCB

USE 1/2W Resistor minimum. 1 or 2W is better

4 turns, 22SWG, on 6mm former
14mm long.

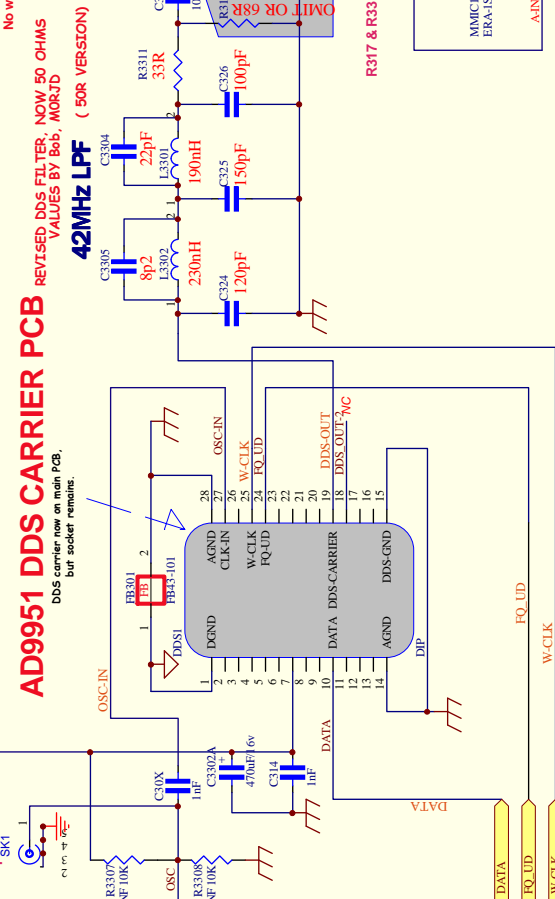
possible mod to reduce this value
as per the original schematics
as low as 330R
Ref msg 21604 (old star grp.)

REF OSCILLATOR

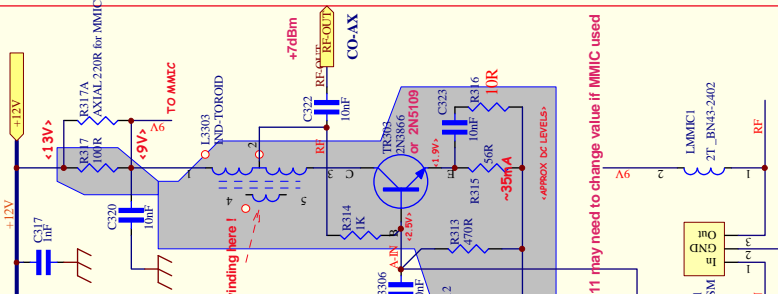


AD9951 DDS CARRIER PCB

REVISED DDS FILTER, NOW 50 OHMS VALUES BY BOB, MORJID (50R VERSION)
42MHz LPF
230nH, 8p2, 120pF, 190nH, 22pF, 100pF, 33R, 33R, 33R



BUFFER AMP

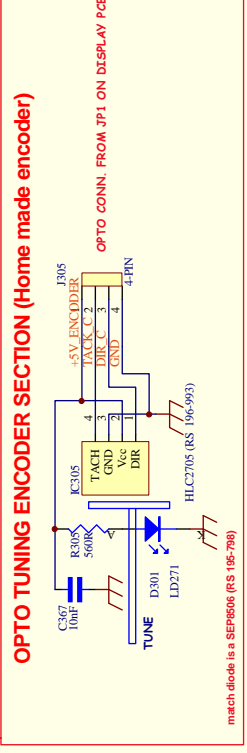


THESE ARE THE SCHEMATICS FOR COMBO STAR 'C' prefix 300

BUTLER/DDS CARRIER/AMP SECTION

THIS IS THE 5V SUPPLY FOR THE integrated Trxavr

USE 2W Resistor minimum.



This schematic is from part of the Combo Conversion PCB panel. They have been redrawn from the G3XP PIC-3 STAR originals. It includes all the modifications and may also incorporate mods. by Bob Daley, MORJID.

exact MMIC not determined yet
ERA-15M R317A = 220R
GALT-6 R317a = TBA
MAR-25M or MAR-35M MIGHT BE OK
R317A needs to be calculated re the data sheets

09-09-11

14-01-09
Update 2 26-11-07 TR103 is TIP122 not TIP123
31-10-07 C2 IS ON DISPLAY PCB

Sheet: 11 of 22
PIC-STAR SCHEMATICS BY VK3PE & C.S.
BASED ON ORIGINALS (C) BY G3XP

This schematic is a re-drawn version of the G3XP PnM schematic who owns the (C). This schematic is provided for completeness only for the VK3PE & C.S. pcb.

BUTLER OSC, DDS CARRIER AND AMP PCB

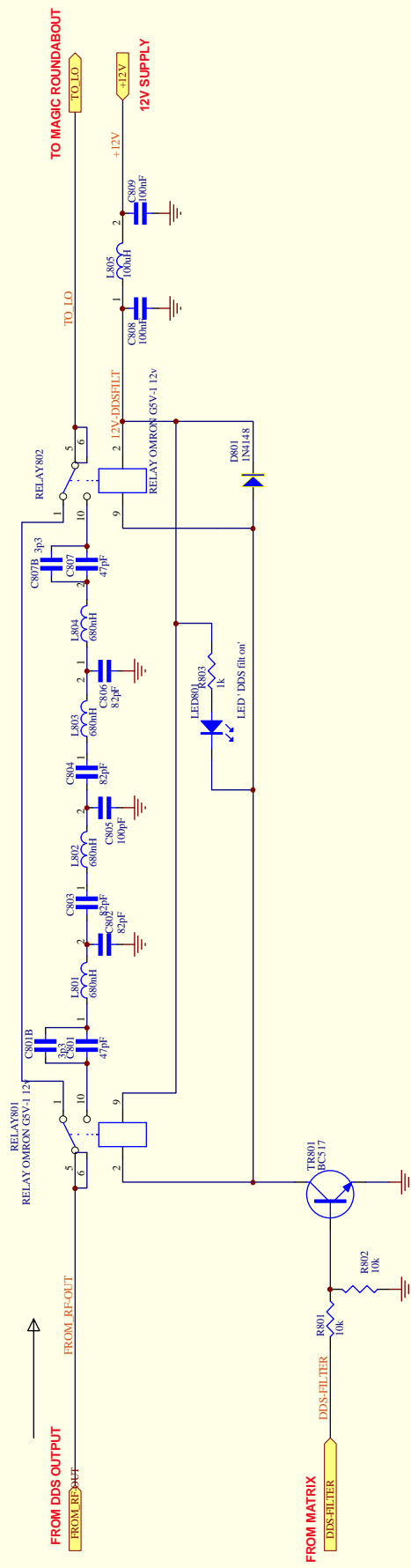
For Oct 2007 "VK3PE PCBs" Vers A

THESE ARE THE SCHEMATICS FOR COMBO STAR 'C'

12-11-09

PICaSTAR DDS FILTER SECTION

for combo, prefix with 800



SHOULD GIVE:

AT LEAST 30dB ATTEN OF IF FREQ
AND A SIMILAR FIGURE AT 50MHz AND RISING
(Ref Part 14 of documents for PICaSTAR)

ie. pass about 25 - 40MHz

These schematics form part of the Combo C version PCB panel.
They have been re-drawn from the G3XJP PIC-a-STAR originals
to reflect all modifications and may also incorporate made by Bob
Daley, M0RJD.

16-08-11 altered bias in to the transistor
010509 add led on filter
010509CHANGED F/P FOR BC517S
14-01-09
15-12-08 UPDATED FOR COMBO USE
#994 5989 Q100N 05V/1000PES/150M FARNELL
GIBO Althetics (AUS) S4173
01-10-09
SEPT 2007 VK3PE * C.S.

Sheet:	SCHEMATICS BY VK3PE & C.S.	
12	TITLE:-	
of	G:\Combo_C2_251011_MASTERISCH_FILES_C2_251011\COMBO-DDS_FILTER_Sch	
22		Vers A

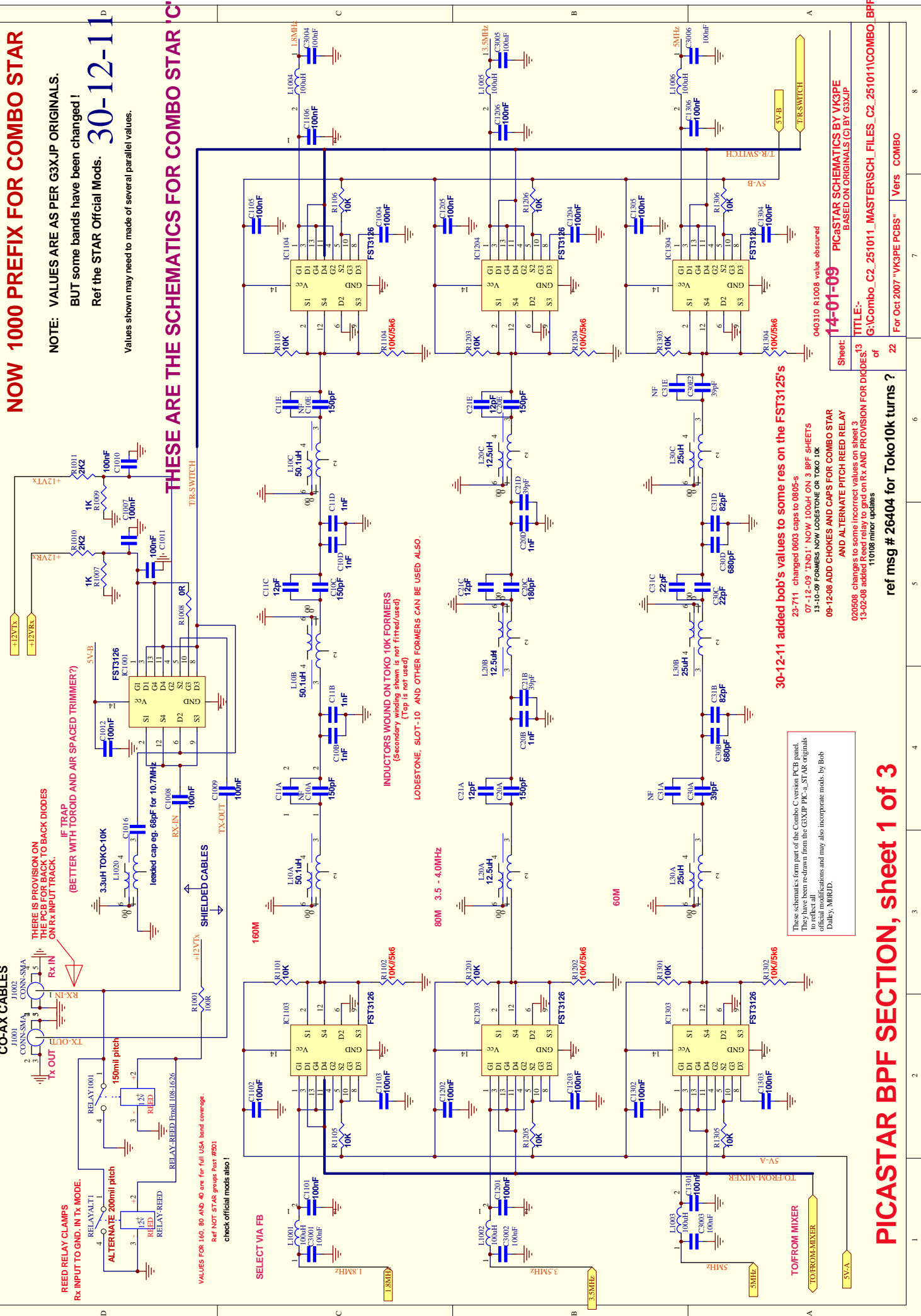
Original schematic is by G3XJP, this version by VK3PE & C.S.

NOW 1000 PREFIX FOR COMBO STAR

NOTE: VALUES ARE AS PER G3XJP ORIGINALS.
BUT some bands have been changed!
Ref the STAR Official Mods. **30-12-11**

Values shown may need to be made of several parallel values.

THESE ARE THE SCHEMATICS FOR COMBO STAR 'C'



30-12-11 added bob's values to some res on the FST3125's

23-711 changed 0603 caps to 0805-s
07-12-09 'IND1' NOW 100UH ON 3 BPF SHEETS
13-10-09 FORMERS NOW LOBSTONE OR TOKO 10K

09-12-08 ADD CHOICES AND CAPS FOR COMBO STAR
AND ALTERNATE PITCH REED RELAY
020508 changes to some incorrect values on sheet 3
13-02-08 added Reed relay to gnd on Rx AND PROVISION FOR DICES13
110108 minor updates

ref msg # 26404 for Toko10k turns ?

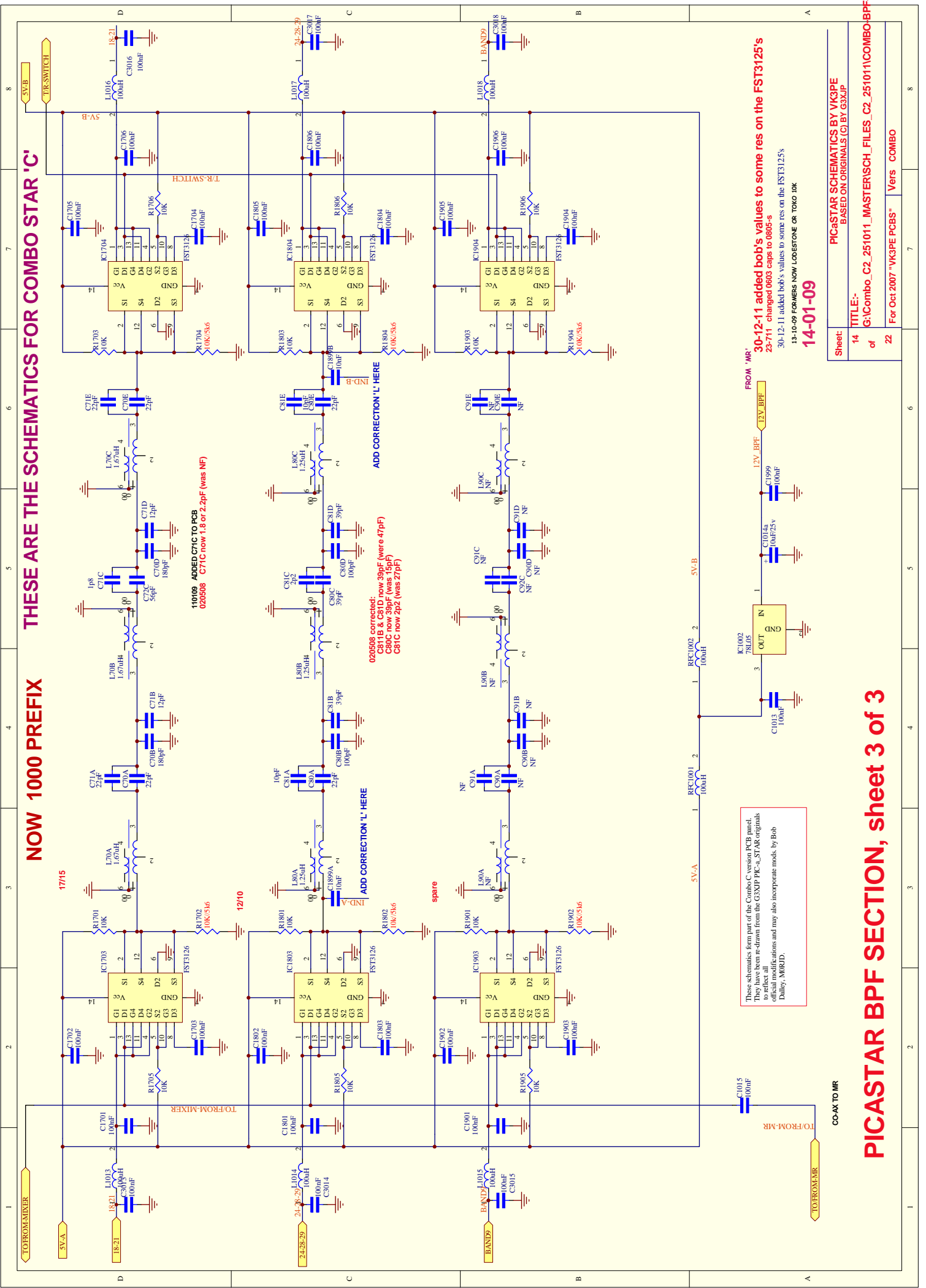
These schematics form part of the Combo Star PCB mod.
They have been re-drawn from the G3XJP PIC-STAR originals
to reflect all
official modifications and may also incorporate mods. by Bob
Daley, M0RJD.

PICASTAR BPF SECTION, sheet 1 of 3

Sheet:	14-01-09	PICASTAR SCHEMATICS BY VK3PE
of	22	BASED ON ORIGINALS (G) BY G3XJP
Title: G:\Combo_C2_251011_MASTER\ISCH_FILES_C2_251011\COMBO BPF_SHT1.SCH		
For Oct 2007 "VK3PE PCBs" Vers COMBO		

NOW 1000 PREFIX

THESE ARE THE SCHEMATICS FOR COMBO STAR 'C'



11008 ADDED C71C TO PCB
020508 C71C now 1.8 or 2.2pF (was NF)

020508 corrected:
C811B & C81D now 39pF (were 47pF)
C80C now 39pF (was 15pF)
C81C now 2p2 (was 27pF)

These schematics form part of the Combo C version PCB panel. They have been re-drawn from the GXPIC PIC-STAR originals after several years of official modifications and may also incorporate mods by Bob Daley, MORJD.

30-12-11 added bob's values to some res on the FST3125's
23-7-11 changed 0805 caps to 0805-s
30-12-11 added bob's values to some res on the FST3125's
13-10-09 FORMERS NOW LODGESTONE OR TOKO 10K
14-01-09

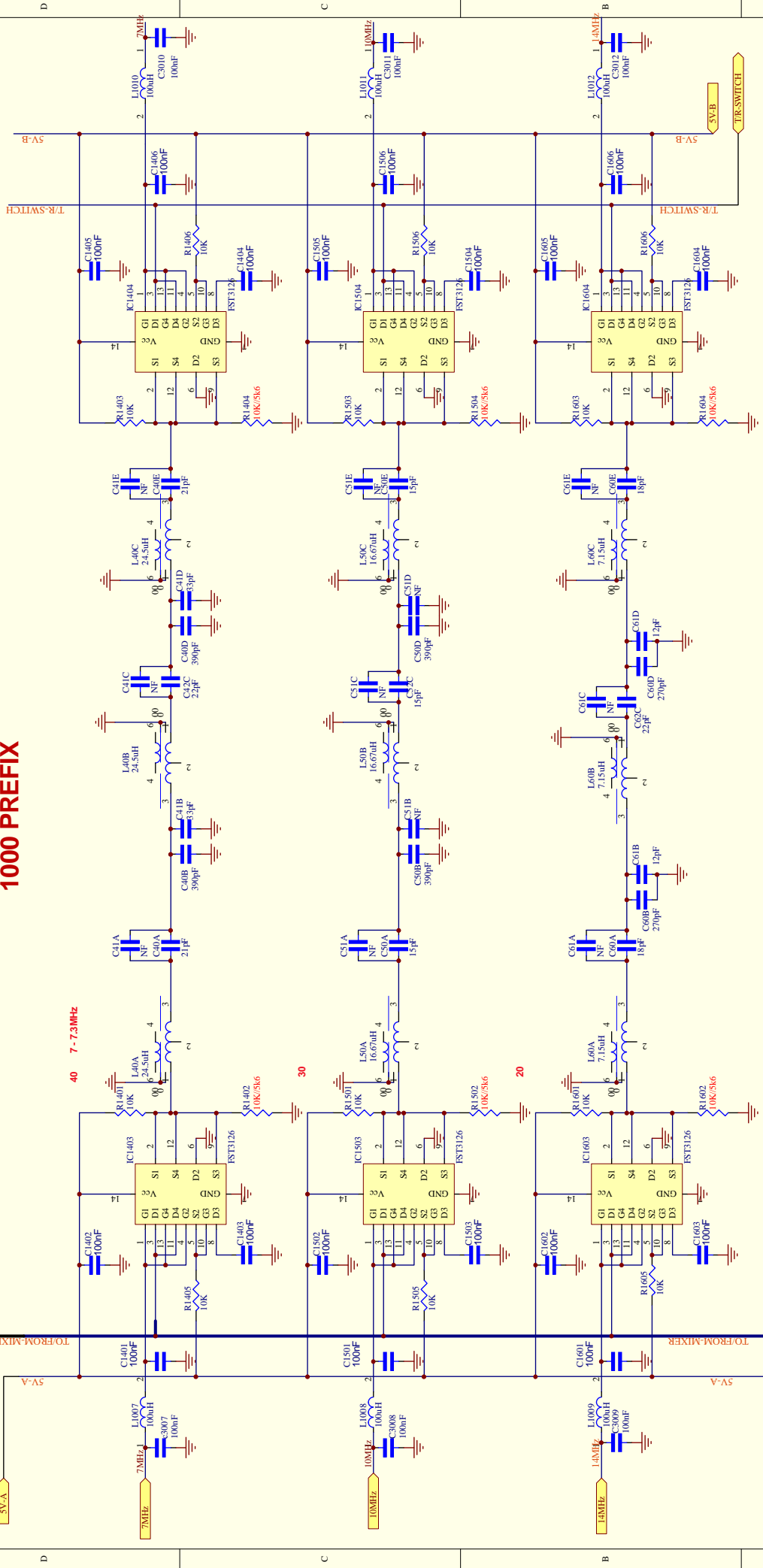
Sheet:	14
of	22
TITLE:- G:\Combo_C2_251011_MASTER\ISCH_FILES_C2_251011\COMBO-BPF-SHT3.SCH	
For Oct 2007 "VK3PE PCBs" Vers COMBO	

CO-AX TO MR

PICASTAR BPF SECTION, sheet 3 of 3

THESE ARE THE SCHEMATICS FOR COMBO STAR 'C'

1000 PREFIX



30-12-11

These schematics form part of the Combo C version PCB panel. They have been re-drawn from the G3XP PCB's STAR originals to reflect all official modifications and may also incorporate mods. by Bob Daily, MK80D.

30-12-11 added bob's values to some res on the FST3125's
 13-10-09 FORMERLY NOW LONGSTONE ON TADG 10K
 23-7-11 changed 0803 caps to 0895-S

14-01-09

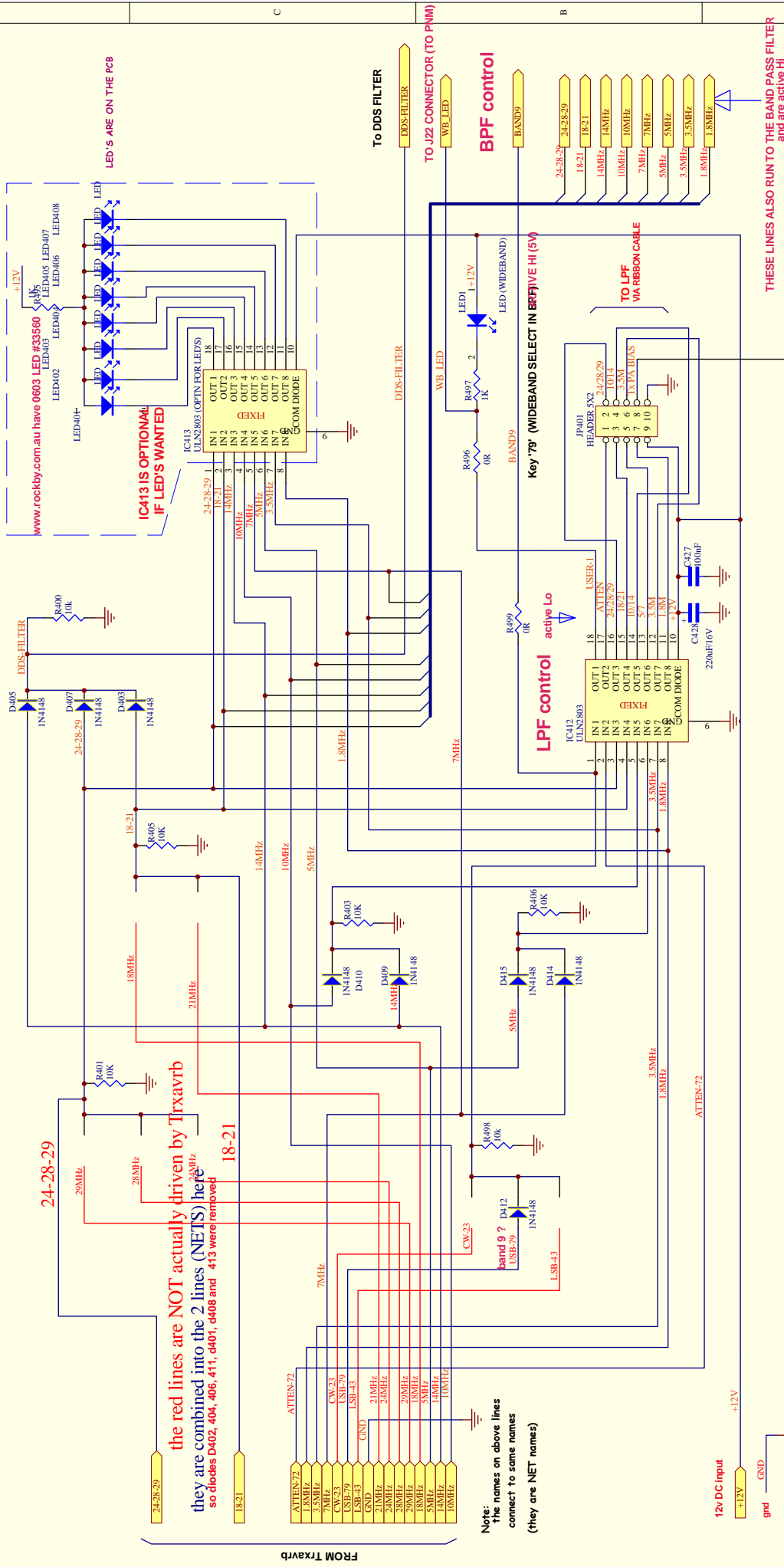
Sheet:	PICaSTAR SCHEMATICS BY VK3PE BASED ON ORIGINALS (G) BY G3XP		
15 of	TITLE:- G:\Combo_C2_251011_MASTER\ISCH_FILES_C2_251011\COMBO-BPF-SHT2.SCH		
22	For Oct 2007 "VK3PE PCBs" Vers COMBO		

PICaSTAR BPF SECTION, sheet 2 of 3

STAR DIODE MATRIX

13-08-11

THESE ARE THE SCHEMATICS FOR COMBO STAR 'C'



the red lines are NOT actually driven by Trxavrb they are combined into the 2 lines (NETS) here so diodes D402, 404, 406, 411, d401, d408 and 413 were removed

Note: the names on above lines connect to same names (they are NET names)

These schematics form part of the Combo C version PCB panel. They have been taken from the G3XJP PCB_C_ STARX originals to permit all modifications and may also incorporate mods. by Bob Dalley, MORJD.

VK3PE

ORIGINAL SCHEMATIC BY G6ALU

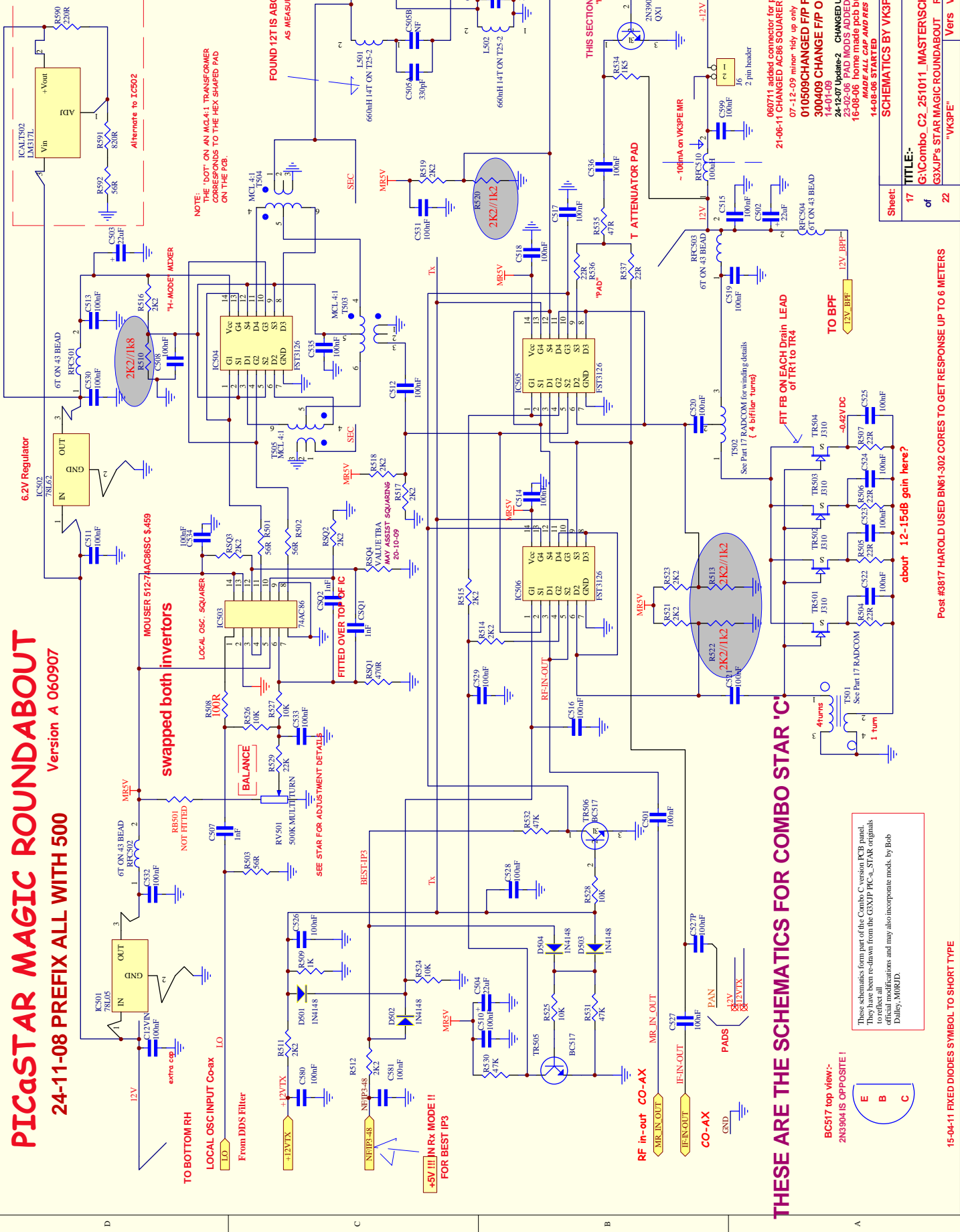
PICaSTAR MAGIC ROUNDABOUT

Version A 060907

24-11-08 PREFIX ALL WITH 500

07-12-09

16-08-11



NOTE: REF. IS NOT ON AN ICS4.1 TRANSFORMER CORRESPONDS TO THE HEX SHAPED PAD ON THE PCB.

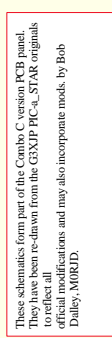
FOUND 12T IS ABOUT RIGHT AS MEASURED ON ADE METER

THIS SECTION ADDED JAN FEB 2007 PADS ADD.

060711 added connector for panelator?
21-06-11 CHANGED AC86 SQUARE CONFIGURATION
07-12-09 minor tidy up only
310059 CHANGED F/P FOR BC517S
300409 CHANGE F/P OF LM317L
14-01-09
24-12-07 Update-2 CHANGED U510 TO J310's
23-02-06 PAD MODS ADDED TO SCHEMATIC & commercial pcb made
16-08-06 home made pcb built
14-08-06 STAFF TESTED
SCHEMATICS BY VK3PE & C.S.

THESE ARE THE SCHEMATICS FOR COMBO STAR 'C'

BC517 top view:-
2N3904 IS OPPOSITE I



15-04-11 FIXED DIODES SYMBOL TO SHORT TYPE

Post #3817 HAROLD USED BN61-302 CORES TO GET RESPONSE UP TO 6 METERS

Sheet:	17
TITLE:-	G:Combo C2 251011_MASTERISCH_FILES_C2_251011COMBO-MR-Bobs_final.c
of	22
	G3XJP's STAR MAGIC ROUNDABOUT Ref Parts 17 & 18
	Vers Ver C Combo
	"VK3PE"

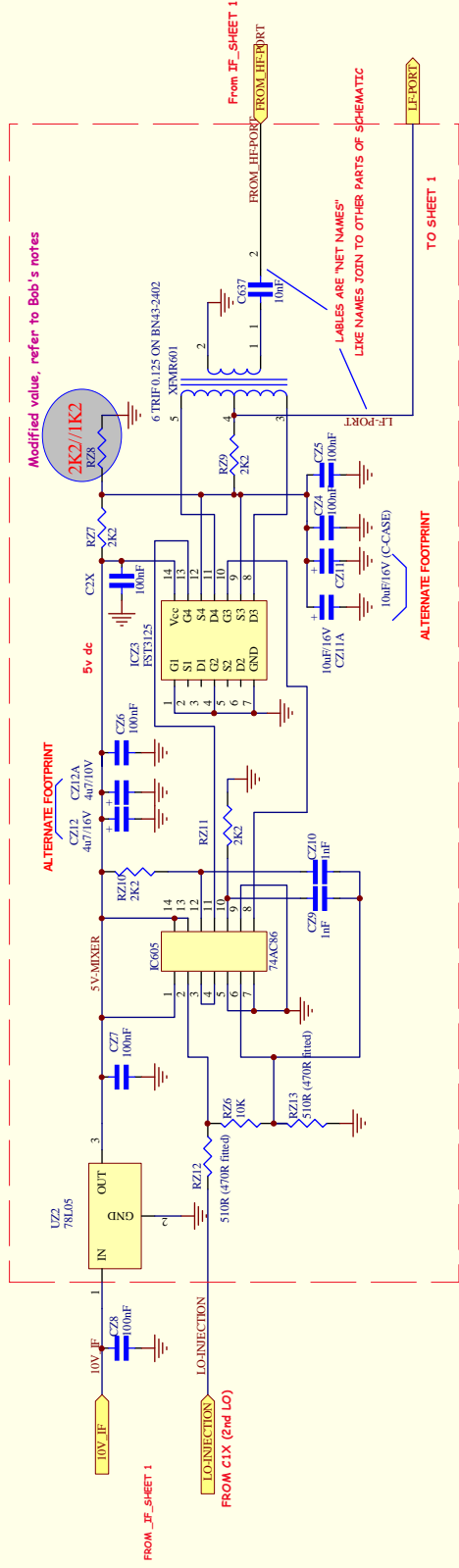
THESE ARE THE SCHEMATICS FOR COMBO STAR 'C'

16-08-11

PICaSTAR IF BOARD (sheet 2) for G6ALU LAYOUT

BY VK3PE & C.S.

"MIXADAPTER" FST3125 MIXER BOARD (NOW PART OF IF PCB)



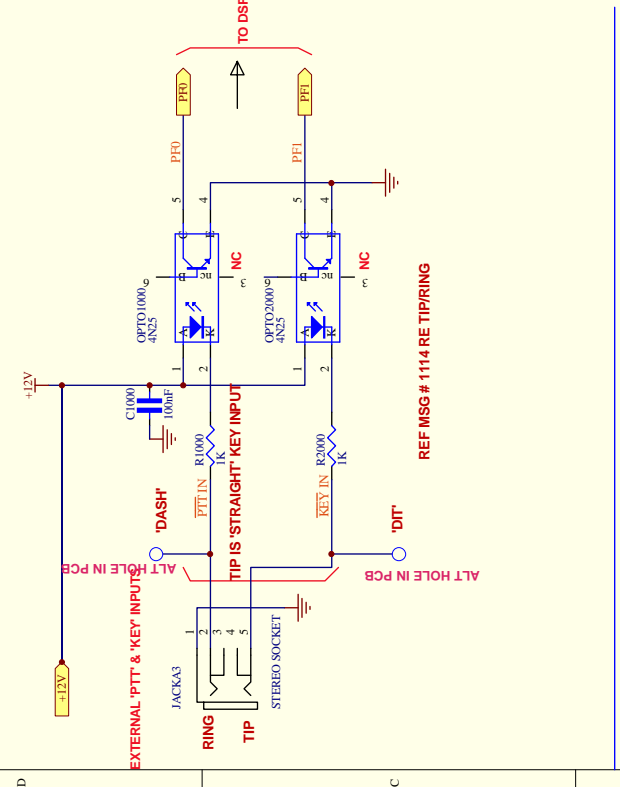
SCREENING OF THIS WHOLE ASSEMBLY IS VERY DESIRABLE

These schematics form part of the Combo C version PCB panel. They have been re-drawn from the G3XP PICaSTAR original to reflect all official modifications and may also incorporate mods. by Bob Daley, M0RQD.

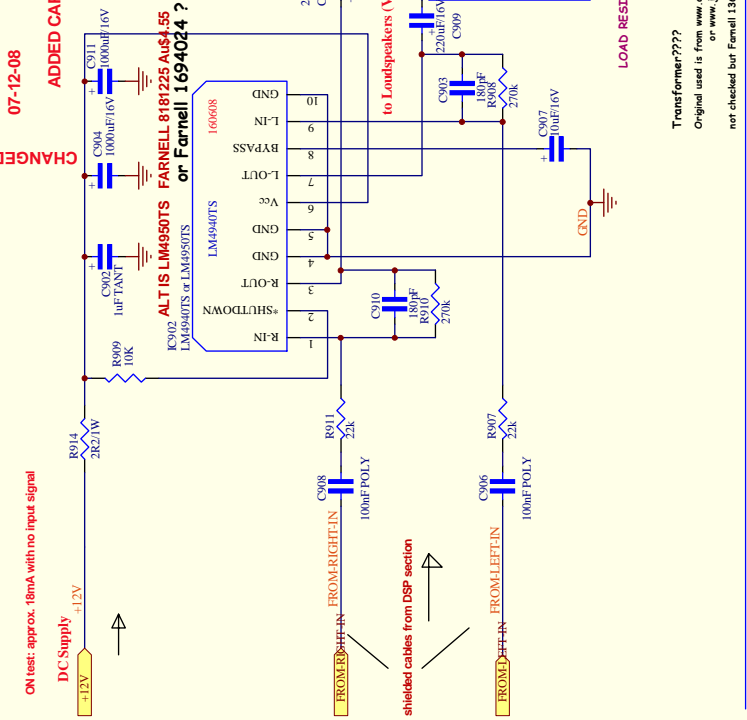
28/09/09
14-01-09
 300708 minor update.
 22-12-07 minor update
 10-07-07 CONVERT TO 0805 PARTS
 DRAWN BY VK3PE

Sheet:	PICaSTAR SCHEMATICS BY VK3PE & C.S. BASED ON ORIGINALS (C) BY G3XP		
19	TITLE:-	G:\Combo_C2_251011_MASTER\ISCH_FILES_C2_251011\COMBO-IF_Sht2.SCH	
of			
22	For Oct 2007 "VK3PE PCBs"	Vers	A

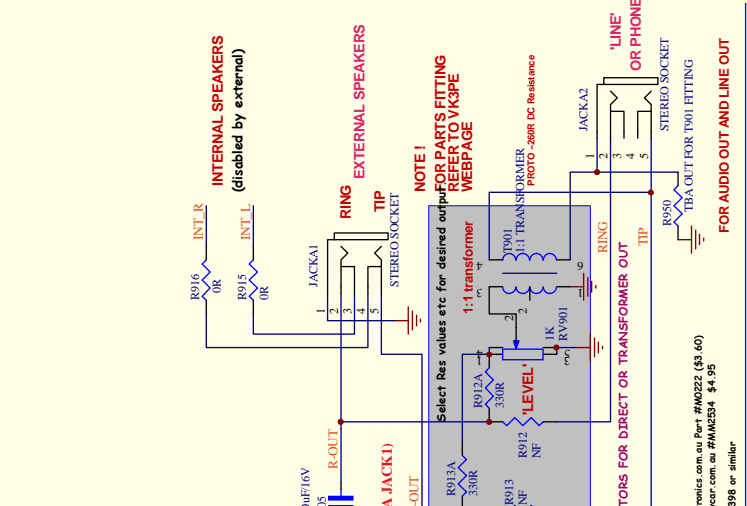
DSP OPTO ISOLATOR FOR PTT & KEY TO DSP prefix 1000



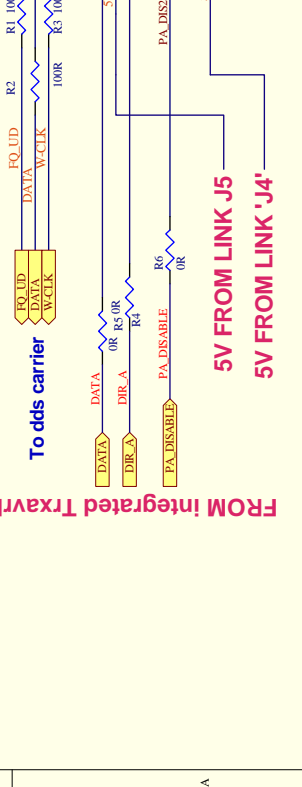
Audio Amp prefix 900



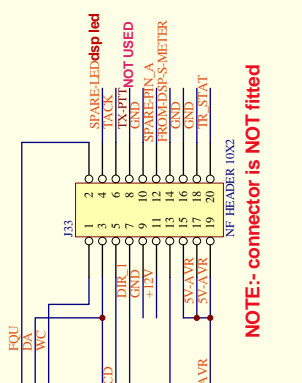
05-10-11



INTERCONNECT TO Trxavrb CONTROLLER



THESE ARE THE SCHEMATICS FOR COMBO STAR 'C'



These schematics form part of the Combo Conversion PCB panel. They have been redrawn from the GSKXP PCB v.3.5 PAK originals to reflect all the modifications made to the PCB. For official modifications and may also incorporate mods by Bob Dailey, MORJID.

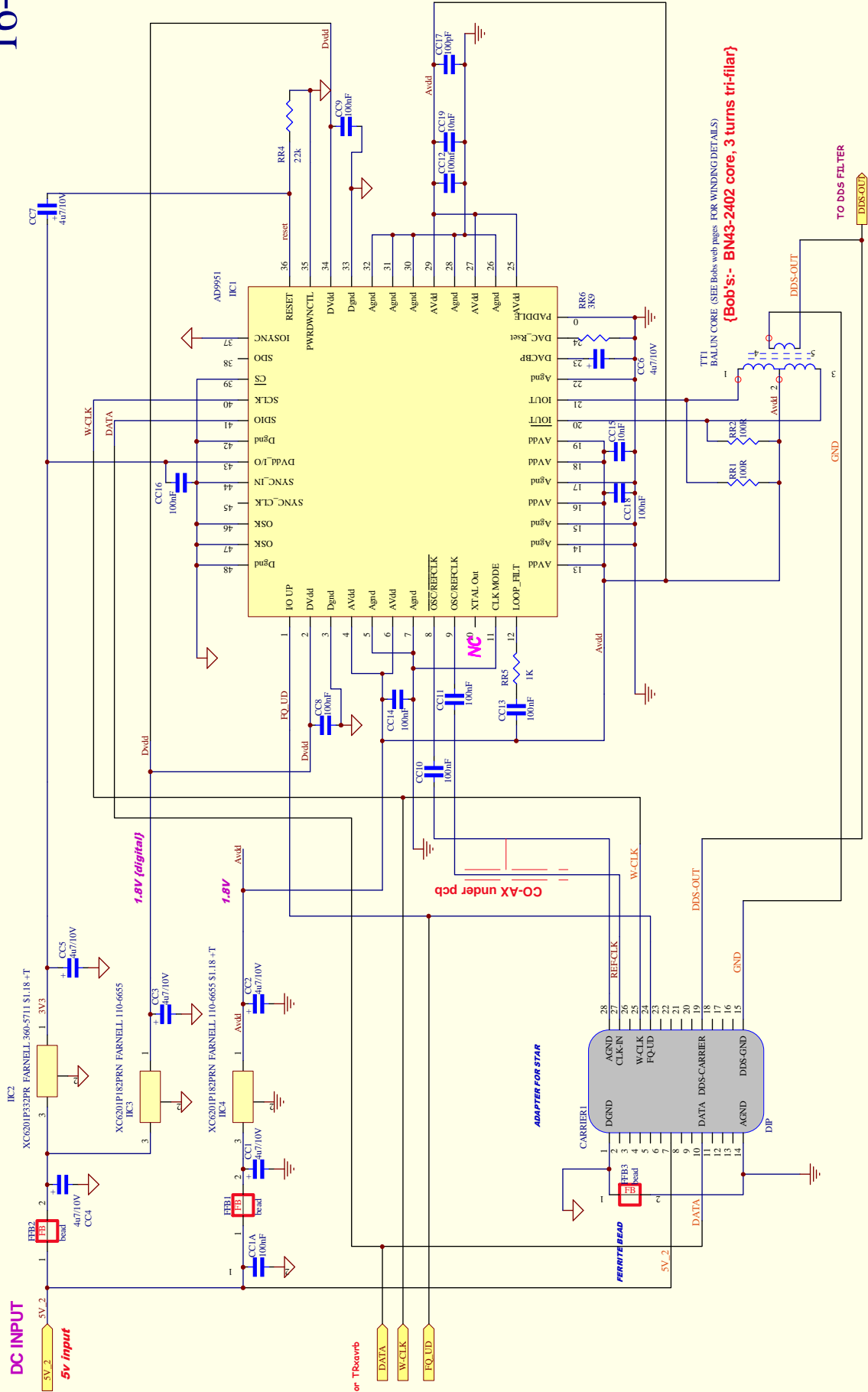
05-10-11. ADDED 2 PIN CONN. FOR 12V TO TTT
16-08-11 COMBO 'C' VERS. REMOVED ALTT JACKS AND UNUSED CONNECTORS
07-12-09 minor tidy up only

Sheet:	PICaSTAR SCHEMATICS BY VK3PE & C.S. —BASED ON ORIGINALS BY BT-6343P	
20	TITLE:-	
of	G:\Combo_C2_251011_MASTER\ISCH_FILES_C2_251011\COMBO-OPTO_AUDIO.sch	
22	For Oct 2007 "VK3PE PCBs"	Vers

G3XJP PICaSTAR

AD9951 DDS "PLL" "COMBO" VERS. "C"

16-08-11



These schematics form part of the Combo C version PCB panel. They have been re-drawn from the G3XJP PIC-a-STAR originals with official modifications and may also incorporate masks by Bob Daley, MORJID.

16-08-11 USED NOW ON COMBO 'C' VERSION PANEL
11-07-08 Revised original 16/12/07 PCB tracks
12-07-08 ~~DRAMA~~ ORIGINAL

Sheet: 21 of 22
SCHEMATICS BY VK3PE & C.S.
TITLE:- G:\Combo_C2_251011_MASTER\SCH_FILES_C2_251011\COMBO-DDS.SCH

DDS IS NOW INTEGRATED ONTO THE SINGLE BOARD VERSION

Vers "VK3PE"

07-12-09

STAR TIMER SECTION

THESE ARE THE SCHEMATICS FOR COMBO STAR 'C'
PREFIX ALL WITH 700 NOW FOR SINGLE BD STAR

Possibly LM2937-10 ET/INOPD
Farnell 1564642
or LM2940T-10.0
low dropout temp 10v reg
RS components #3558010
NB Max 500mA

Points on PCB
FAN-POWER-OPTION
AS REQUIRED

12V TO OTHER BOARDS

12v input to Radio

QUICK CONNECT TABS

POWER TO PA's etc

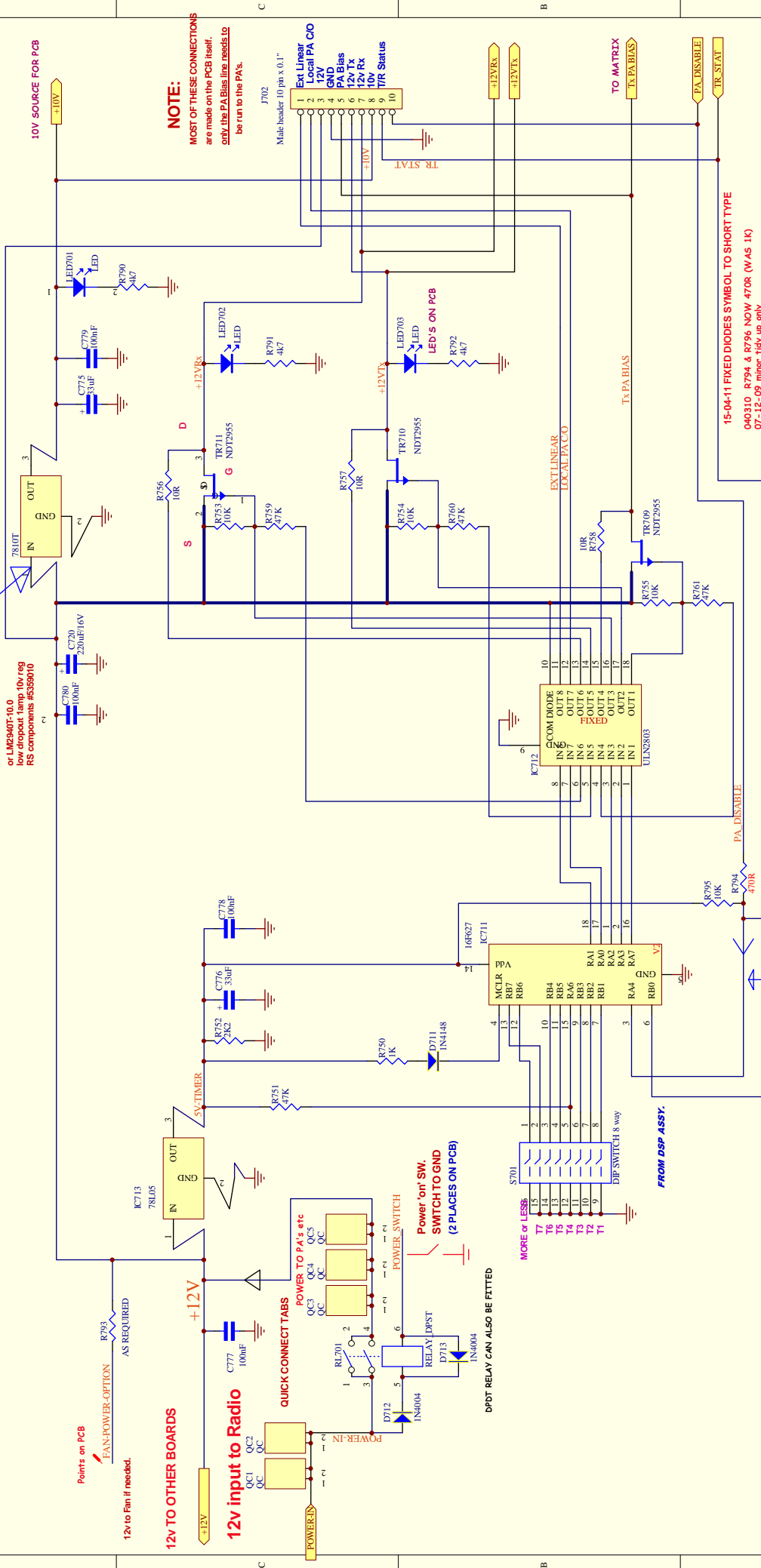
RELAY DPST

POWER SW.

SWITCH TO GND

(2 PLACES ON PCB)

DPDT RELAY CAN ALSO BE FITTED



NOTE:
MOST OF THESE CONNECTIONS
are made on the PCB itself.
only the PA Bias line needs to
be run to the PA's.

15-04-11 FIXED DIODES SYMBOL TO SHORT TYPE
040310 B794 & B796 NOW 470K (WAS 1K)
07-12-09 minor tidy up only
260909 REMOVED LM317 ALT 10V REG
010509- added PA bias to JP401 in matrix
14-01-09
12-01-09 possible Im2937 10v reg ?
PGMR INTERFACE REMOVED
01-10-09 J3 now 10 pins
040907 PCB BY CHRIS STAKE
07-07-06

ALTERNATE POINT FOR PA DIS.
LOCATED NEAR REG. FOR DDS.

REFER TO IAN G3VPX'S TIMER CHANGES
(USED IF HIGH SWR FOR SHUTDOWN OF PA)

FROM DSP ASSY.

These schematics form part of the Combo C version PCB panel.
They have been re-drawn from the G3XP P/CPC-a STAR originals
to reflect all
official modifications and may also incorporate mods. by Bob
Dalley, M0R0D.

Sheet: 22 of 22

TITLE:- STAR TIMER BY VK3PE & C.S.
G:\Combo_C2_251011_MASTER\ISCH_FILES_C2_251011\COMBO-TIMER.sch

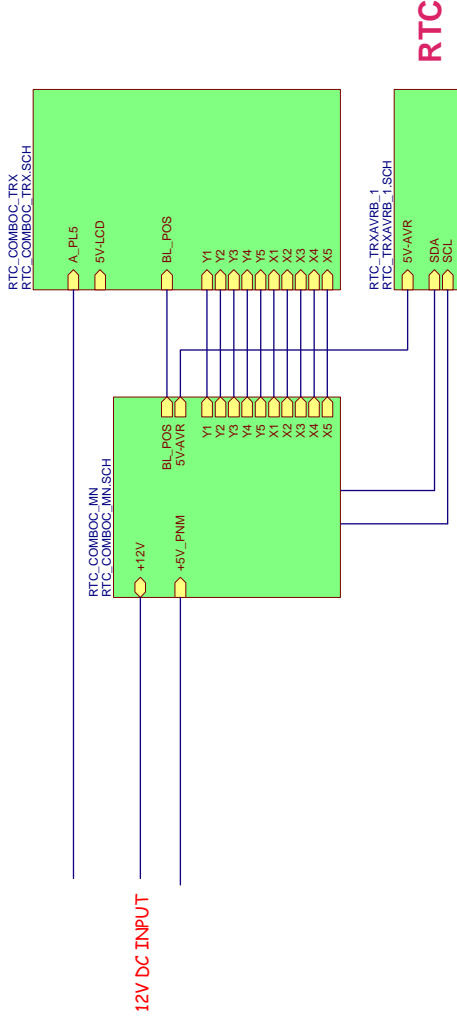
Vers single pcb star

PREFIX 700

CORRECTED WIRING TO NEW FOOTPRINT OF IC712

TrxavrB for Combo "C" version only (integrated version)

02-08-2011



260711:- THIS PROJECT HAS NOW BEEN RE-NUMBERED AND ADDED TO COMBO CC PCB

NOTE K2 AND KTA ARE MISSING FROM SCH AND PCB

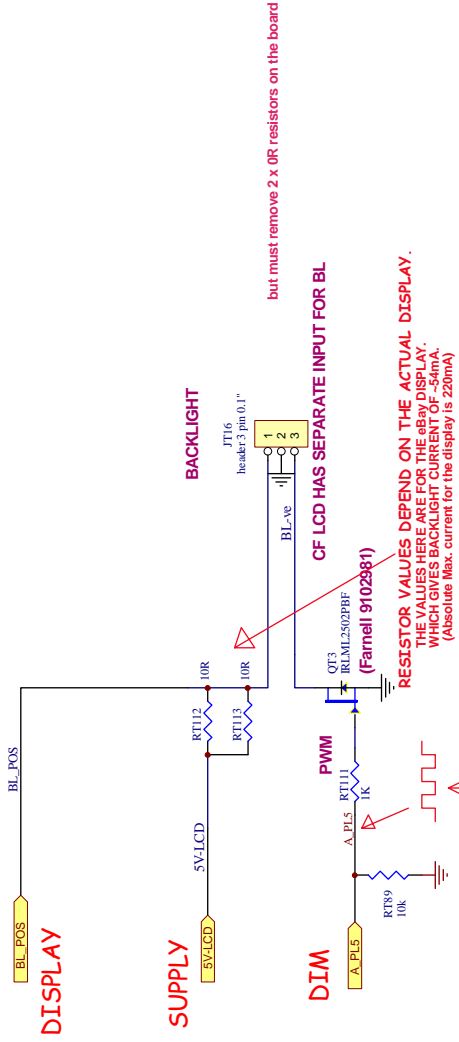
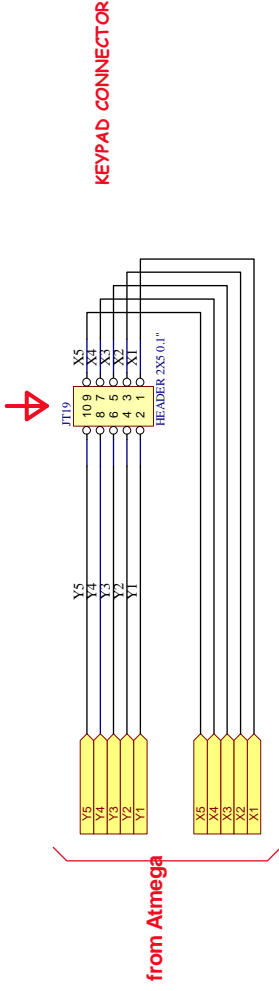
These schematics form part of the Combo C version PCB panel. They have been re-drawn from the GXPFC-a-STAR originals to reflect all modifications and may also incorporate modifications by Bob Daley, MWRB.

280909 ORIGINAL		Updated by:
Updated on:		Updated on:
COMMERCIAL-IN-CONFIDENCE		
NOT TO BE DISCLOSED WITHOUT WRITTEN AUTHORITY		
Title:		
Size:	Number:	Issue:
A3		
Printed on:	10/28/05	Sheet 4 of 22
File:	G:\Combo_C2_251011_MASTER\SCH_FILES_C2_251011\ComboC_Trx_only.rtl.sp	

TrxavrB for Combo "C" version only (integrated version)

05-09-2011

THIS CONNECTOR TAKES A 10 WAY RIBBON CABLE WHICH CONNECTS TO THE KEYPAD and other switches.



Duty cycle sets the BL brightness.

These schematics form part of the Combo C version PCB panel. They have been re-drawn from the GXXP PIC-a STAR originals to reflect all official modifications and may also incorporate mods. by Bob Dalley, M06GD.

'NF' MEANS Not Fitted

Updated on:	Updated by:
COMMERCIAL-IN-CONFIDENCE NOT TO BE DISCLOSED WITHOUT WRITTEN AUTHORITY	
File:	Issue:
Size:	Number:
Printed on:	Printed on:
File:	File:

TraxxvB for Combo "C" version only (integrated version)

05-09-2011

COMBO 'C' - mainly for TFT DISPLAY

combo CC only

To COMBO-STAR Matrix area

5 x 5 KEYPAD MATRIX

Optn external LED for 'DSP'

LEDS

MENU ENCODER

NOT FITTED

COMBO-STAR CONNECTOR

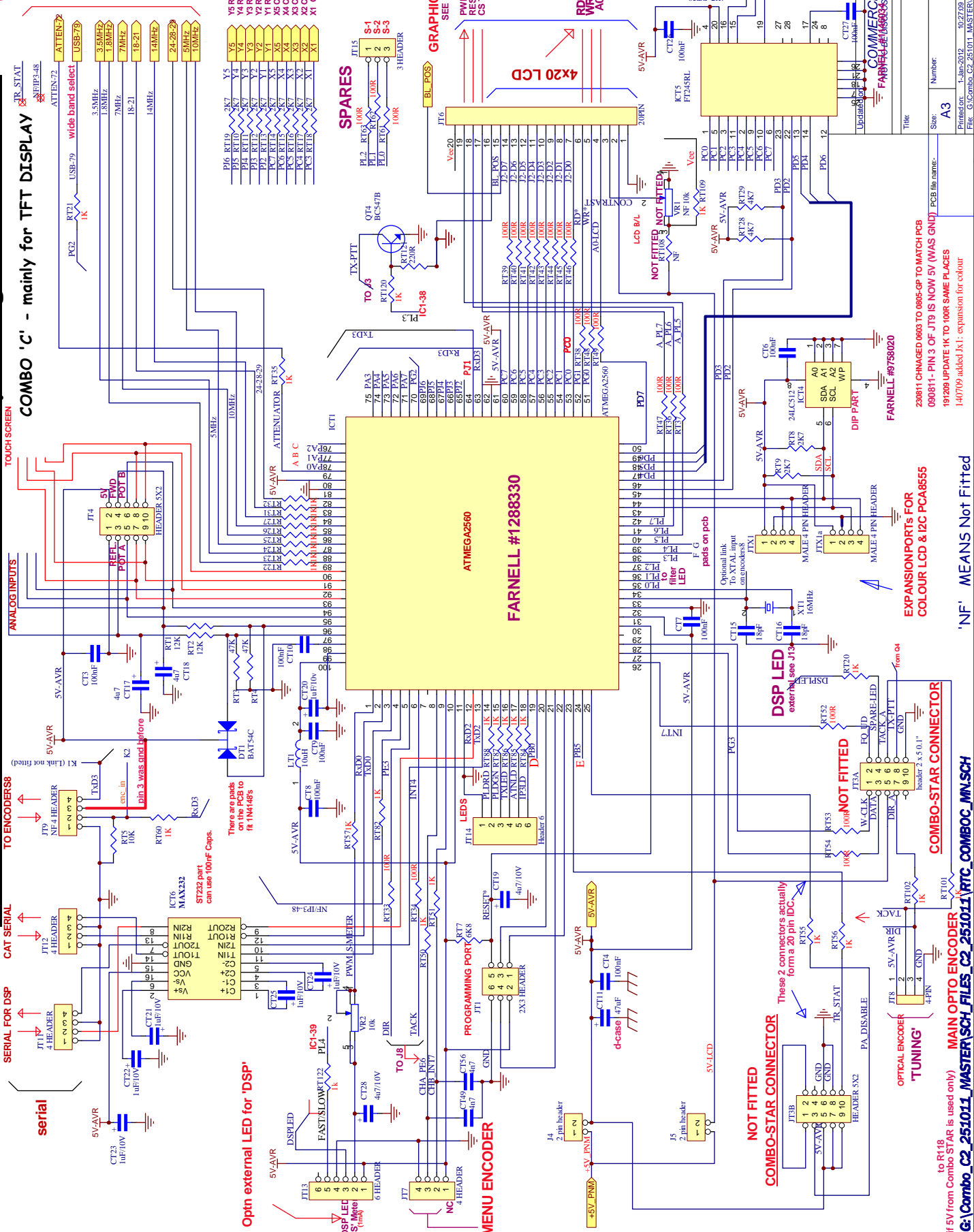
DSP LED

EXPANSION PORTS FOR COLOUR LCD & I2C PCA8555

COMBO-STAR CONNECTOR

EXPANSION PORTS FOR COLOUR LCD & I2C PCA8555

'NF' MEANS Not Fitted



COMMERCIAL-IN-CONFIDENCE

Updated by:	FARNELL #9758020
Issue:	A3
Size:	A3
Printed:	1-Jun-2012 10:27:09
File:	G:\Combo_C2_251011_MASTER\SCH_FILES\COMBO_C2_251011.MXSCH

200811 CHANGED 0803 TO 0805-0P TO MATCH PCB
 090811- PIN 3 OF JT9 IS NOW 5V (WAS GND) PCB file name:-
 191209 UPDATE IK TO 100R SAME PLACES
 140709 added Jx1 - expansion for colour

TrxavrB for Combo "C" version only (integrated version)

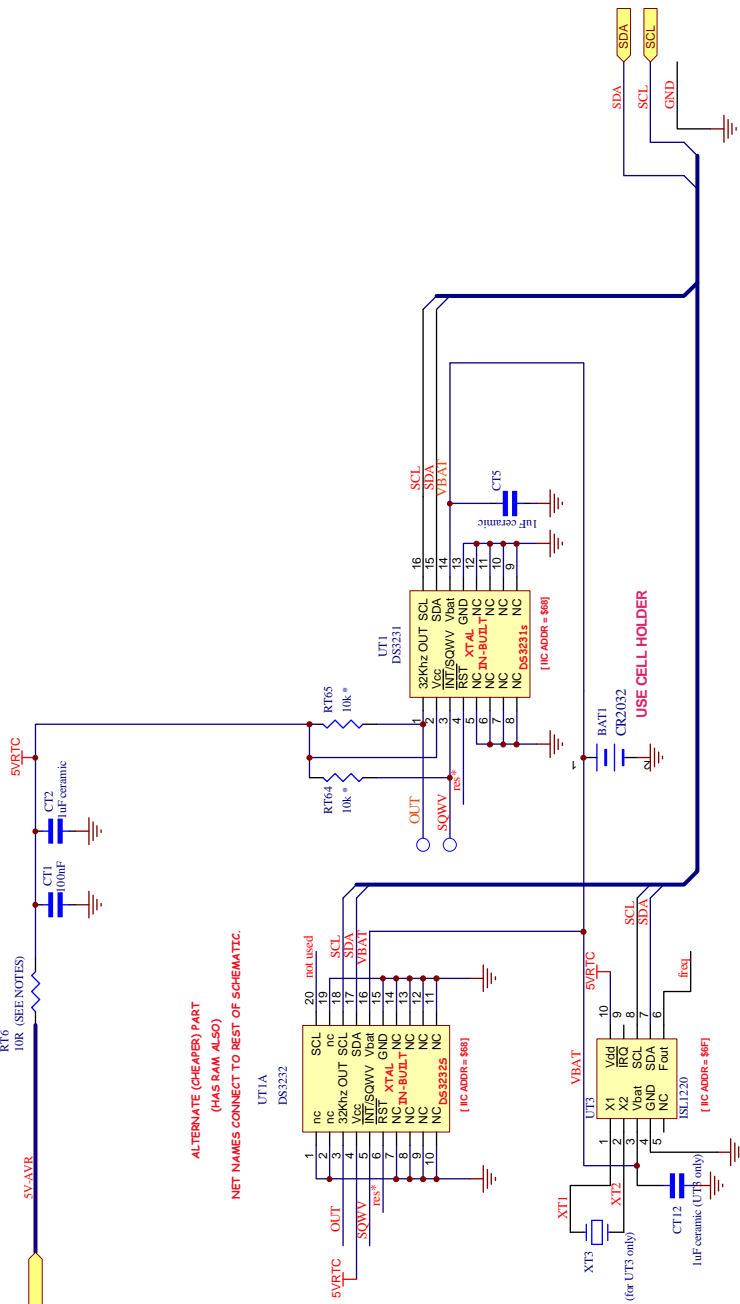
DS3231 or ISL1220 OR ISL1220 REAL TIME CLOCK FOR Trxavr / TftA

30-07-11 now integrated onto combo CC

02-08-2011

CHOOSE ONE RTC TYPE ONLY !

USE 5V FROM TRXAVRB SECTION !



TO COMBINE WITH COMBO C VERSION TRXAVRB

These schematics form part of the Combo C version PCB panel. They have been redrawn from the GXXP PCB-C-LS TAK originals to reflect official modifications and may also incorporate mods by Bob Daley, MURD.

*ROCKBY REFERS TO www.rockby.com.au
*JAYCAR is www.jaycar.com.au
*FARNELL is www.farnell.com

Updated on:	v43pe	Updated by:	Jan 19th, 2011
COMMERCIAL-IN-CONFIDENCE NOT TO BE DISCLOSED WITHOUT WRITTEN AUTHORITY			
PCB file name:		Issue:	
Size:	A3	Number:	
Printed on:	L-Jan-2012 10:27:22	Sheet:	7 of 22
File:	G:\Combo_C2_251011_MASTER\SCH_FILES_C2_251011\TRC_TRXAVRB_1.SCH		

I2C - 16 OUTPUT RELAY DRIVER

FOR TrxAVR - PICASTAR Project

Original is by Ian Sumner G3VPX, Sept, 2009

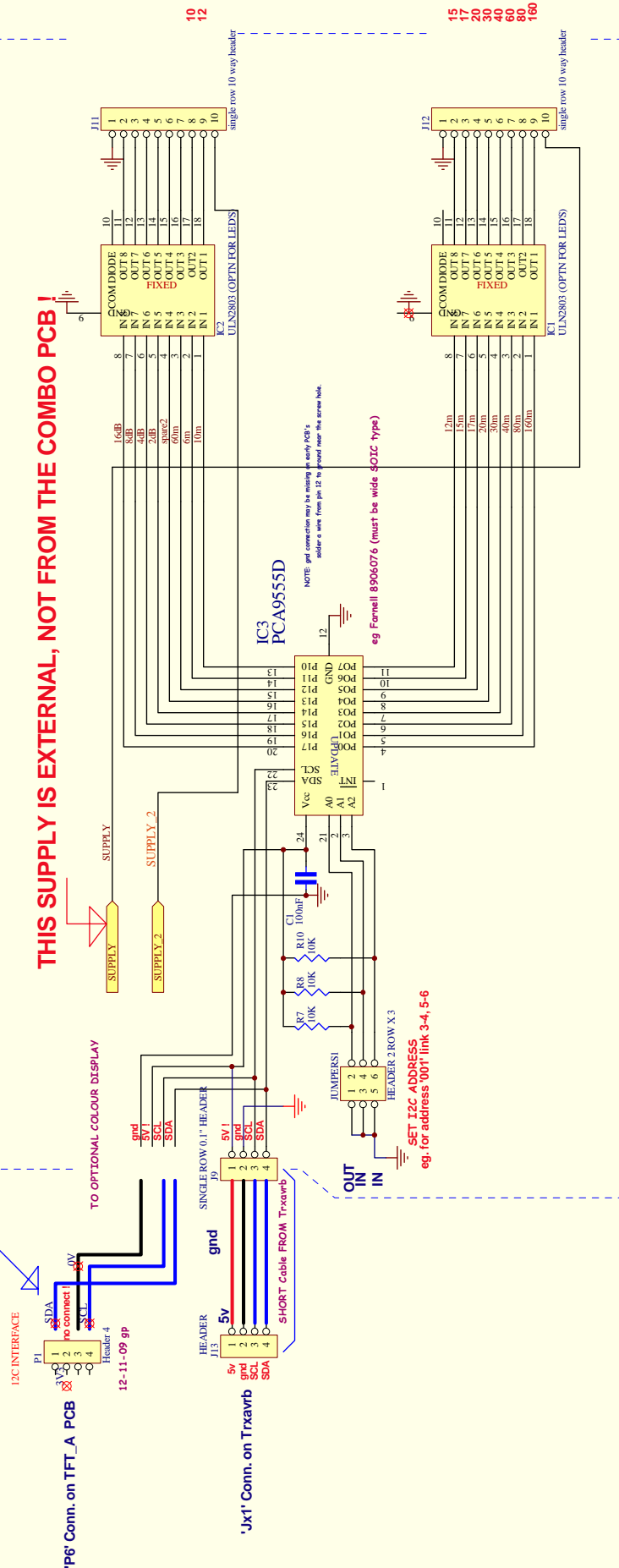
01-04-10

25-10-11 now integrated onto combo CC

02-08-2011

This drawing also shows the connections to a colour display (ftfpcb) if I2C interface PCB is used. (TFT_A)

NOTE wiring is NOT 1:1 and pin 2 of P6 must NOT be connected



These schematics form part of the Combo C version PCB panel. They have been re-drawn from the G53P PIC-5.3 PAC originals to reflect all official modifications and may also incorporate mod. by Bob Dalley, MORJD.

16-08-11 USED NOW ON COMBO 'C' VERSION PANEL

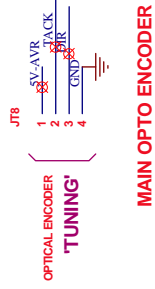
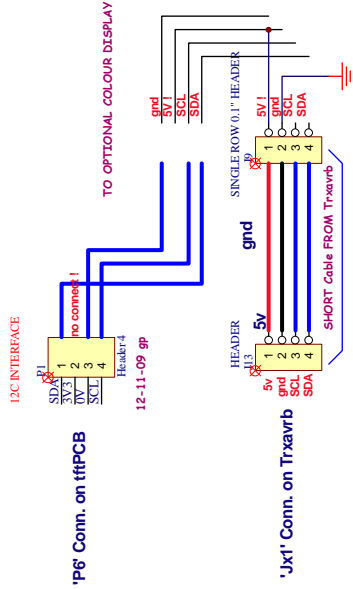
Sheet:	SCHEMATICS BY VK3PE & C.S.	
3	TITLE:-	
of	G:\Combo_C2_251011_MASTER\ISCH_FILES_C2_251011\COMBO_C_IC-INTERFAC	
22	"VK3PE"	Vers

THIS SHEET WILL SHOW THE INTERCONNECTIONS FROM MAIN PCB

02-08-2011

TFT_A

TUNING ENCODER



These schematics form part of the Combo C version PCB panel. They have been re-drawn from the GSXIP PIC-A, STAR originals for clarity and accuracy. Any modifications and may also incorporate mod. by Bob Daley, M0RJD.

Updated on:		Updated by:	
COMMERCIAL-IN-CONFIDENCE		NOT TO BE DISCLOSED WITHOUT WRITTEN AUTHORITY	
Title:			
Size:	Number:	Issue:	
A3			
Printed on:	10/27/54	Sheet 2 of 22	
File: G:\Combo_C2_251011_MASTER\SCH_FILES_C2_251011\COMBO_CC_INTERCONNECTS.SCH			