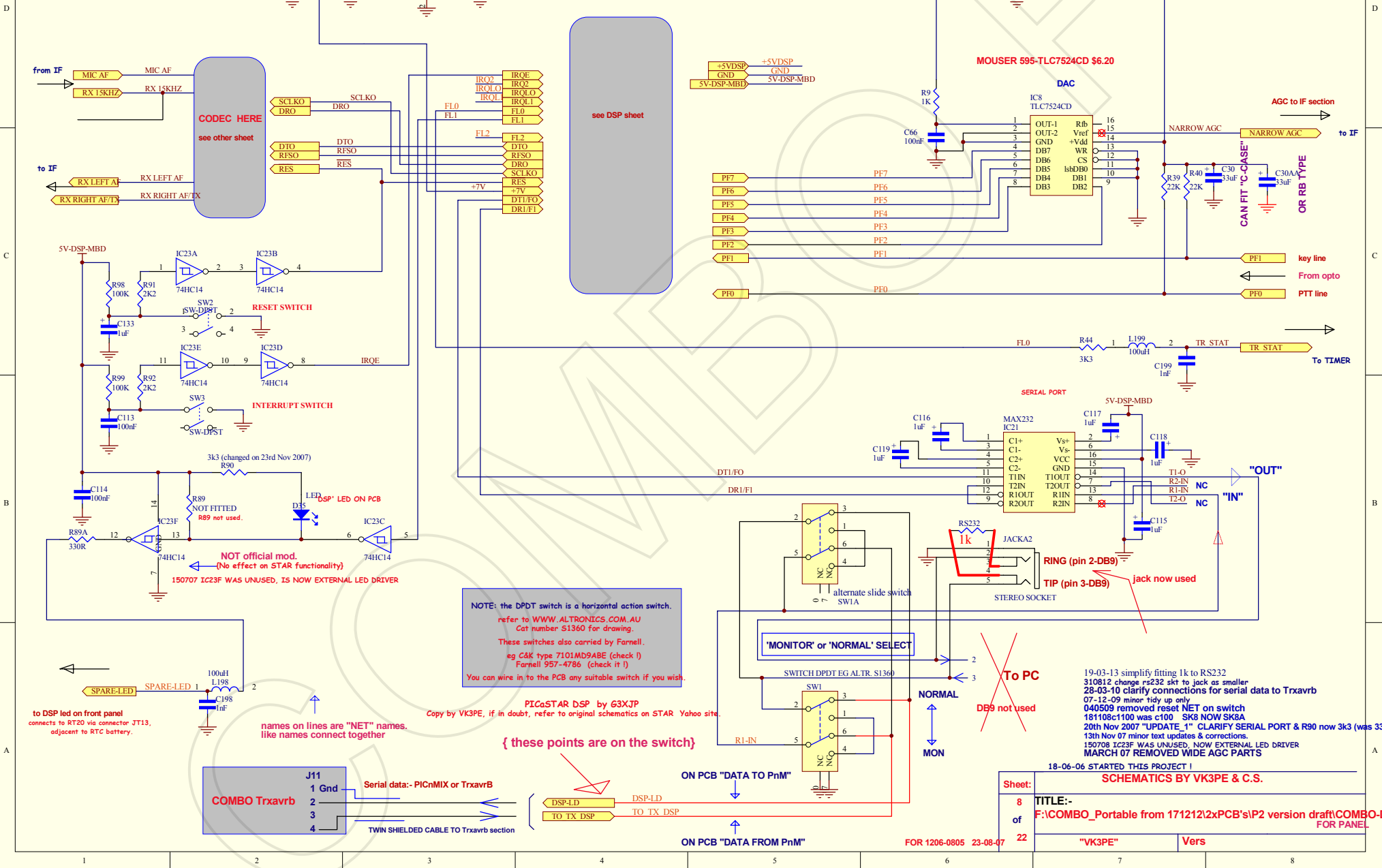


PICaSTAR "MOTHER BOARD" section FOR DSP

COMBO STAR Vers 'P1'

19-03-13



see DSP sheet

NOTE: the DPDT switch is a horizontal action switch.
refer to WWW.ALTRONICS.COM.AU
Cat number S1360 for drawing.
These switches also carried by Farnell,
eg C&K type 7101MD9ABE (check I)
Farnell 957-4786 (check it I)
You can wire in to the PCB any suitable switch if you wish.

PICaSTAR DSP by 63XJP
Copy by VK3PE, if in doubt, refer to original schematics on STAR Yahoo site.

{ these points are on the switch }

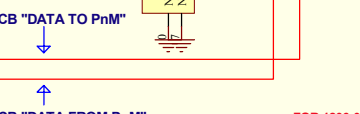
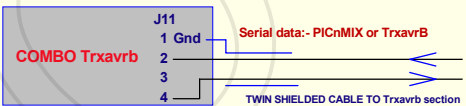
19-03-13 simplify fitting 1k to RS232
310812 change rs232 skt to jack as smaller
28-03-10 clarify connections for serial data to TxavrB
07-12-09 minor tidy up only
040509 removed reset NET on switch
181108c1100 was c100 SK8 NOW SK8A
20th Nov 2007 "UPDATE_1" CLARIFY SERIAL PORT & R90 now 3k3 (was 330R)
13th Nov 07 minor text updates & corrections.
150708 IC23F WAS UNUSED, NOW EXTERNAL LED DRIVER
MARCH 07 REMOVED WIDE AGC PARTS

18-06-06 STARTED THIS PROJECT!	
Sheet:	SCHEMATICS BY VK3PE & C.S.
8	TITLE:-
of	F:\COMBO_Portable from 171212\2xPCB's\p2 version draft\COMBO-DSP_
22	FOR PANEL
	"VK3PE" Vers

FOR 1206-0805 23-08-07

names on lines are "NET" names,
like names connect together

to DSP led on front panel
connects to RT2D via connector JT13,
adjacent to RTC battery.



To PC
DB9 not used

MON
NORMAL

ON PCB "DATA TO PnM"
ON PCB "DATA FROM PnM"