

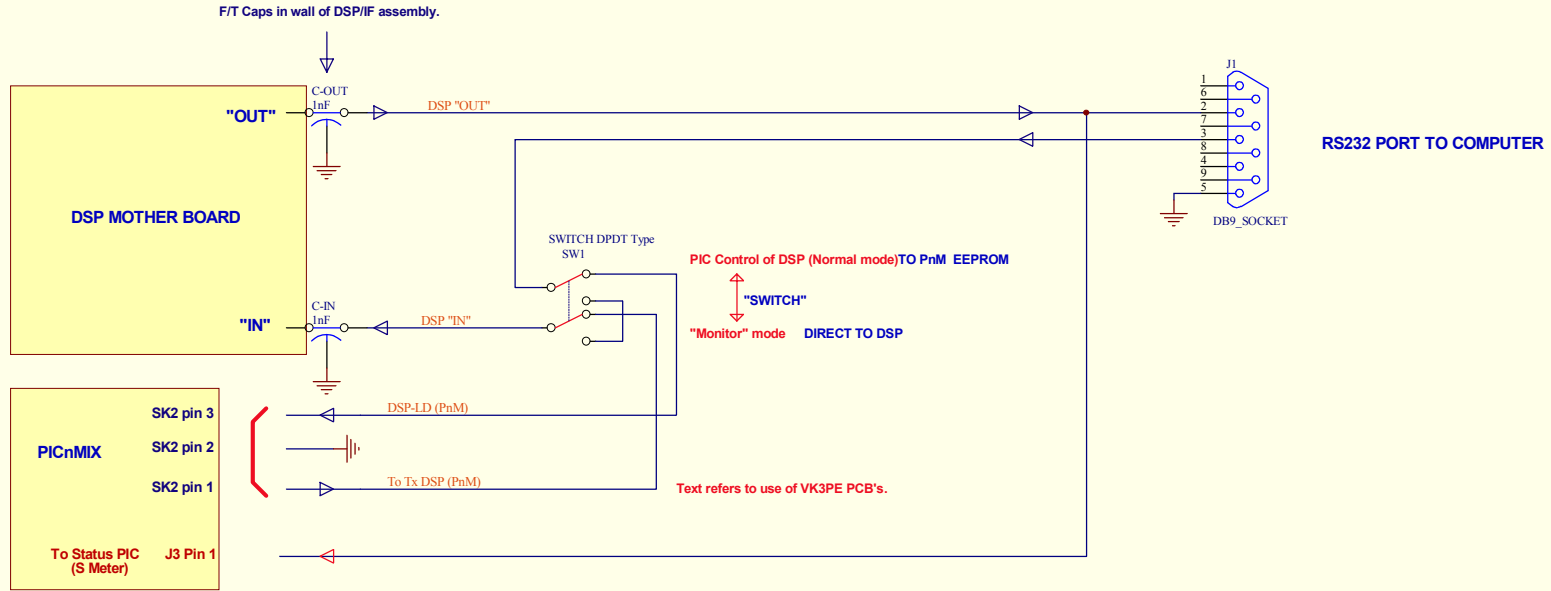
RS232 PORT WIRING FOR PICaSTAR

VK3PE method of switching, using a toggle switch.

(NOT an approved modification)

All wiring is in shielded cables

FERRITE BEADS AND SMALL VALUE BYPASS CAPS. MAY ALSO BE NEEDED.



Refer to PICaSTAR "HARDWARE INTEGRATION DRAWING" BY G3XJP

NOTE: USE SHIELDED WIRING !

23-06-08 added S Meter wiring
29TH NOV 2007, UPDATED.

Sheet:	SCHEMATICS BY VK3PE & C.S.	
0	TITLE:-	
of	E:\STAR MISC. INFO ETC\STAR RS232 WIRING\STAR_RS232_WIRING_230608.Sch	
0	"VK3PE"	Vers DRAFT