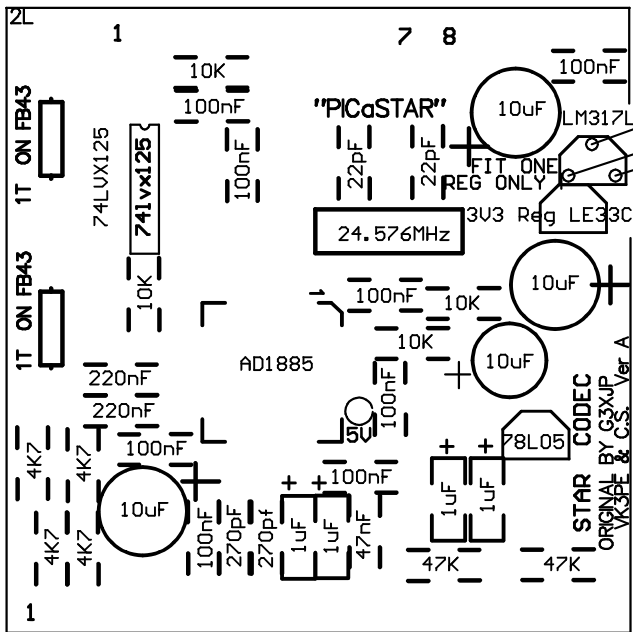
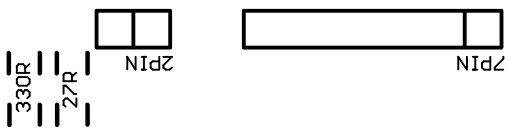


31-10-07



TOP OF LM317
CONNECT AS SHOWN HERE !
F IC24A IS USED

CODEC_VER_A_300807_g2.pcb



ON TOP₂ -
FIT ONE REGULATOR
REG ONLY I

