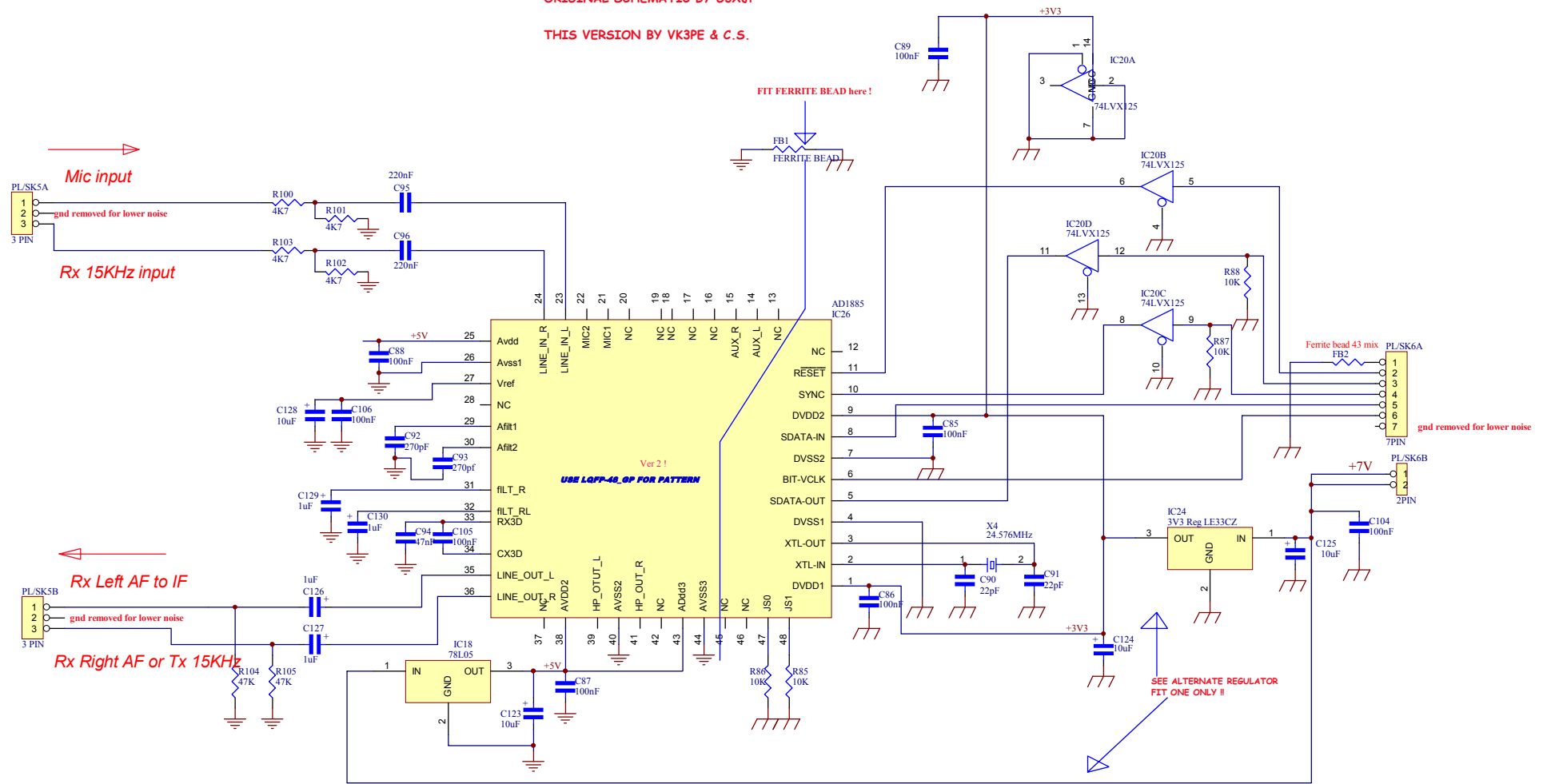


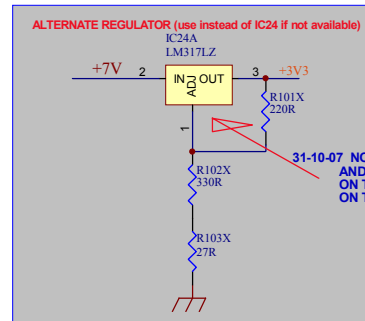
PICaSTAR CODEC PCB

ORIGINAL SCHEMATIC BY G3XJP

THIS VERSION BY VK3PE & C.S.



PLEASE DOUBLE CHECK VOLTAGES TO CODEC BEFORE FITTING THE CHIP !!



Update_1 31-10-07 IC24A PINOUT IS WRONG
290907 UPDATED TEXT ETC
290907 changed C123 to axial type cap AND added alternate 3v3 reg

Updated on: Updated by:
COMMERCIAL-IN-CONFIDENCE
NOT TO BE DISCLOSED WITHOUT WRITTEN AUTHORITY

Title:
G3XJP PICASTAR CODEC PCB by VK3PE

Size: Number: Issue:

A3
Printed on: 31-Oct-2007 12:32:57 Sheet 0 of 0
File: F:\Pnt-2208\Codec\chris\CODEC_Ver-A_Update_1.Sch Drawn By: gp

Schematic by VK3PE but please also refer to original by G3XJP on Yahoo STAR site
codec_ver_a_300807.pcb.PCB"

F:\Pnt-2208\Codec\chris\CODEC_Ver-A_Update_1.Sch