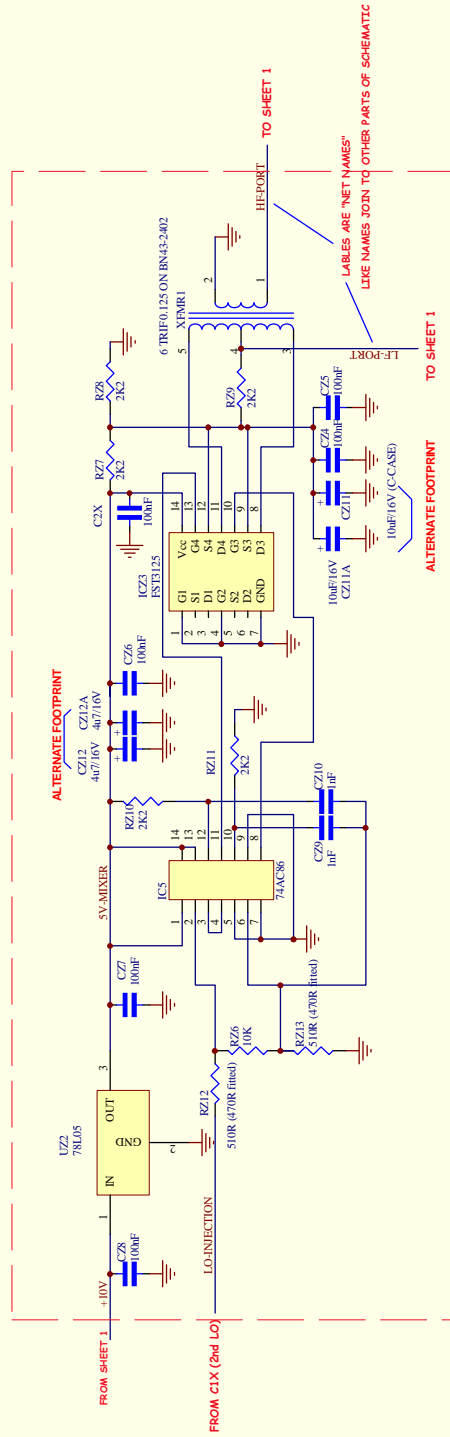


# PICaSTAR IF BOARD for G6ALU LAYOUT

BY VK3PE & C.S.

**"MIXADAPTER" FST3125 MIXER BOARD (NOW PART OF IF PCB)**



**SCREENING OF THIS WHOLE ASSEMBLY IS VERY DESIRABLE**

22-12-07 minor update  
10-07-07 CONVERT TO 0805 PARTS  
DRAWN BY VK3PE

PICaSTAR SCHEMATICS BY VK3PE & C.S.  
BASED ON ORIGINALS (C) BY GSKJP

Sheet: 2  
of 2  
TITLE:- L:\Pnl-2208\IFIF\_Ver-A\_Sheet2\_Update-1a.SCH  
For Oct 2007 "VK3PE PCBs" Vers A