

1 2 3 4

PIC PGM PORT

TO DISPLAY SHEET

TO TX DISPLAY

STATUS section of PCB SHEET 3

TO MATRIX BOARD

CONNECTOR TO DDS & OPTO ENCODER

TO LED etc

12V INTO THIS PCB

5V SOURCE

PCB IS "Pnm\_Ver-A\_140907.PCB"

Update 2: note for leaded part "R2X" added and TR103 TIP122 correction Update 1: C2 was shown on Butler sheet, now on this sheet to reflect where it is actually fitted.

NOTE: Text on connection lines is a Net Name. Parts PREFIXED WITH 500 - HAVE BEEN ADDED. (star mode) There are 3 sheets in this project.

Update 1: NOTE: C18 is changed by group to 100nF for noise problems - 15-03-07 21-07-05 UPPATEB DSS TO D3P8 14-05-08

Updated on: COMMERCIAL-IN-CONFIDENCE NOT TO BE DISCLOSED WITHOUT WRITTEN AUTHORITY BY G3XJP

Title: Pic N Mix

Size: A3

Number: Pic N Mix

Issue: Ver A Panel

Printed on: 26-Nov-2007 20:36:50

File: G:\Pnl-2208\PnlM\VER A SCHEMATICS\Update-1\_311007\PnlM\_Ver-A\_DISPLAY.SCH

Sheet: 1 of 4

see Part 5 of picnmix for setup info

Sheet 1 of 4

Ver A 140907

G:\Pnl-2208\PnlM\VER A SCHEMATICS\Update-1\_311007\PnlM\_Ver-A\_CTRL\_140907\_Update-2.sch

Name: Pnm\_Ver-A\_DISPLAY.SCH

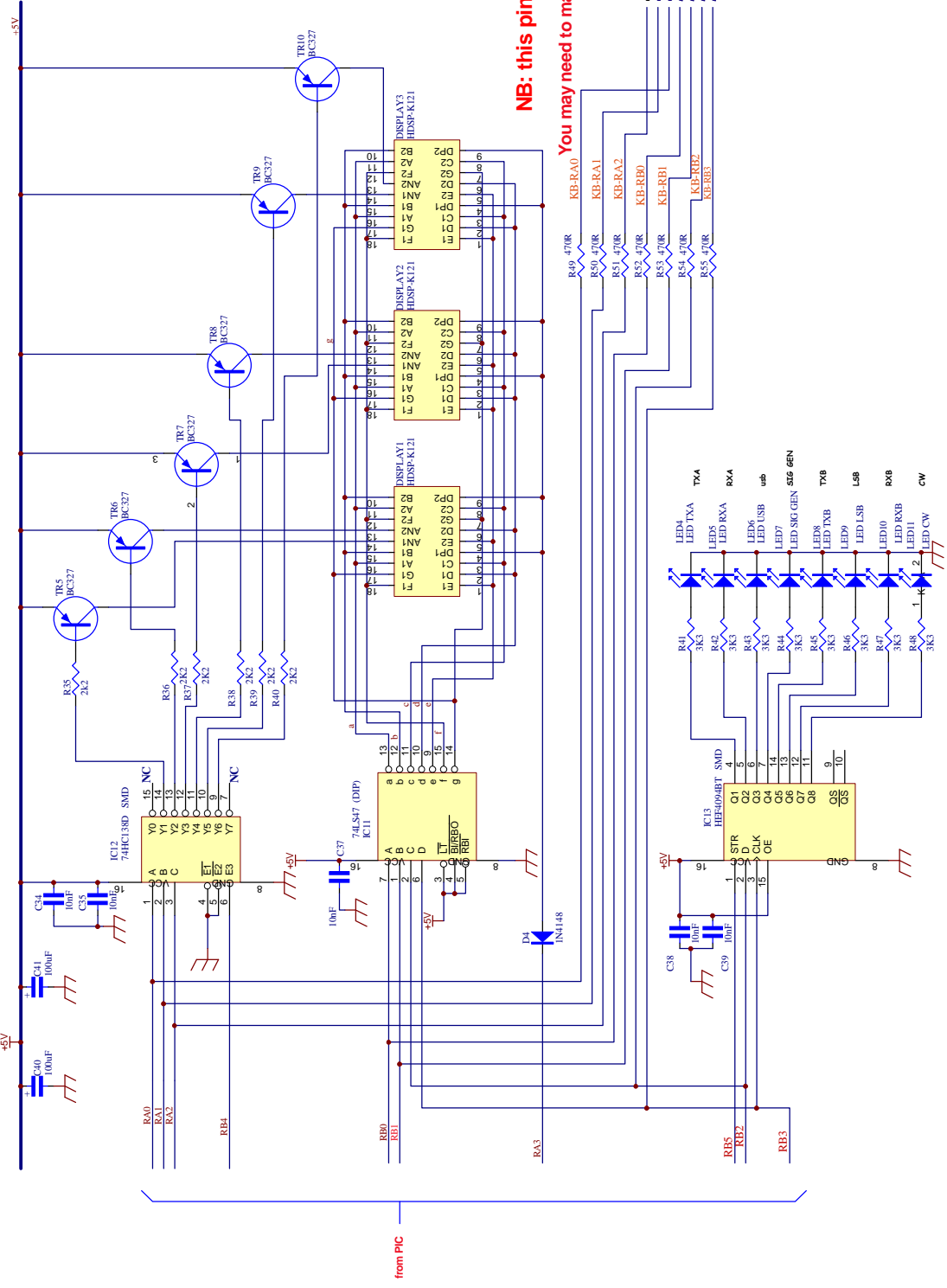
Name: Pnm\_Ver-A\_DISPLAY.SCH

Name: Pnm\_Ver-A\_DISPLAY.SCH

Name: Pnm\_Ver-A\_DISPLAY.SCH

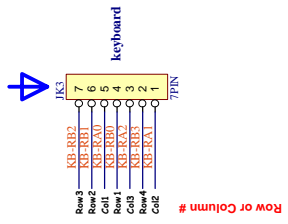
Name: Pnm\_Ver-A\_DISPLAY.SCH

+5v comes from IC2 voltage regulator



**NB: this pinout suits the keypad VK3PE used**  
 Check yours !!

**You may need to make a cable to interconnect to your Keypad.**



This schematic is a re-drawn version of the G3XJP PnM schematic who owns the (C). This schematic is provided for completeness only for the VK3PE & C.S. pcb.

Sheet 2 of 4

# Ver A 140907

NAMES ON LINES GOTO LIKE NAMES ON SHEET 1

Updated on: 26-11-07 vk3pe

Updated by: **230707**

COMMERCIAL-IN-CONFIDENCE  
 NOT TO BE DISCLOSED WITHOUT WRITTEN AUTHORITY

Title: PnM-MKR DISPLAY-AND-KEYBOARD-INTERFACE

Project: PICNMIX DISPLAY

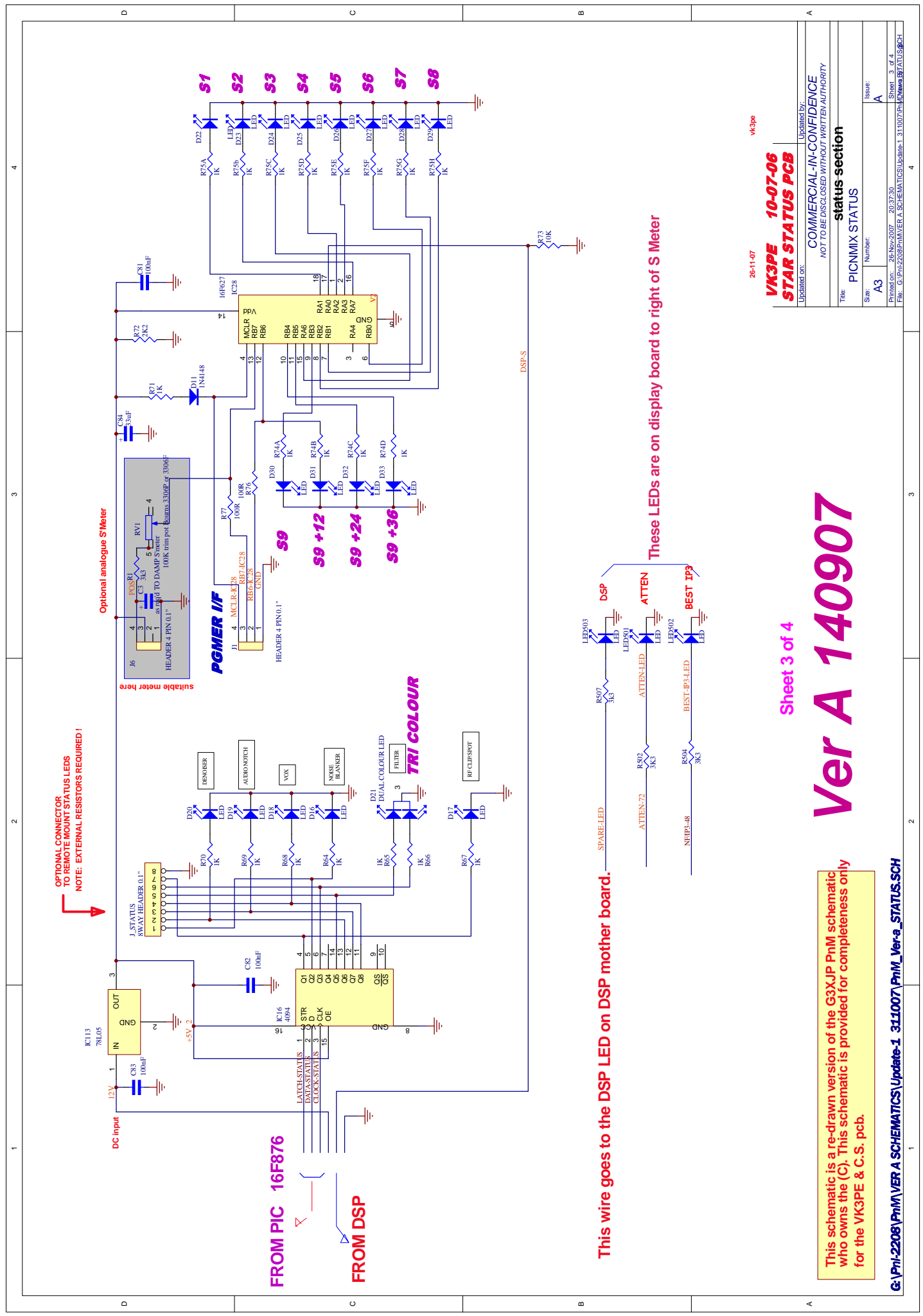
Size: A3 Number: A

Printed on: 26-Nov-2007 20:37:10 Sheet: 2 of 4

File: G:\PnM-2208\PnM\VER A SCHEMATICS\Update-1\_311007\PnM\WMA\BSP\PLAYSCH

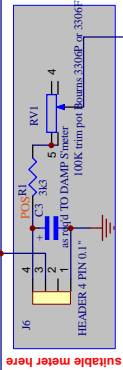
NOTE: Text on connection lines is a Net Name.  
 Nets with SAME name are joined together.

There are 4 sheets in this project



**OPTIONAL CONNECTOR TO REMOTE MOUNT STATUS LEADS  
NOTE: EXTERNAL RESISTORS REQUIRED!**

**Optional analogue S Meter**



**FROM PIC 16F876**

**FROM DSP**

**TRI COLOUR**

**This wire goes to the DSP LED on DSP mother board.**

**These LEDs are on display board to right of S Meter**

26-11-07 vk3pe

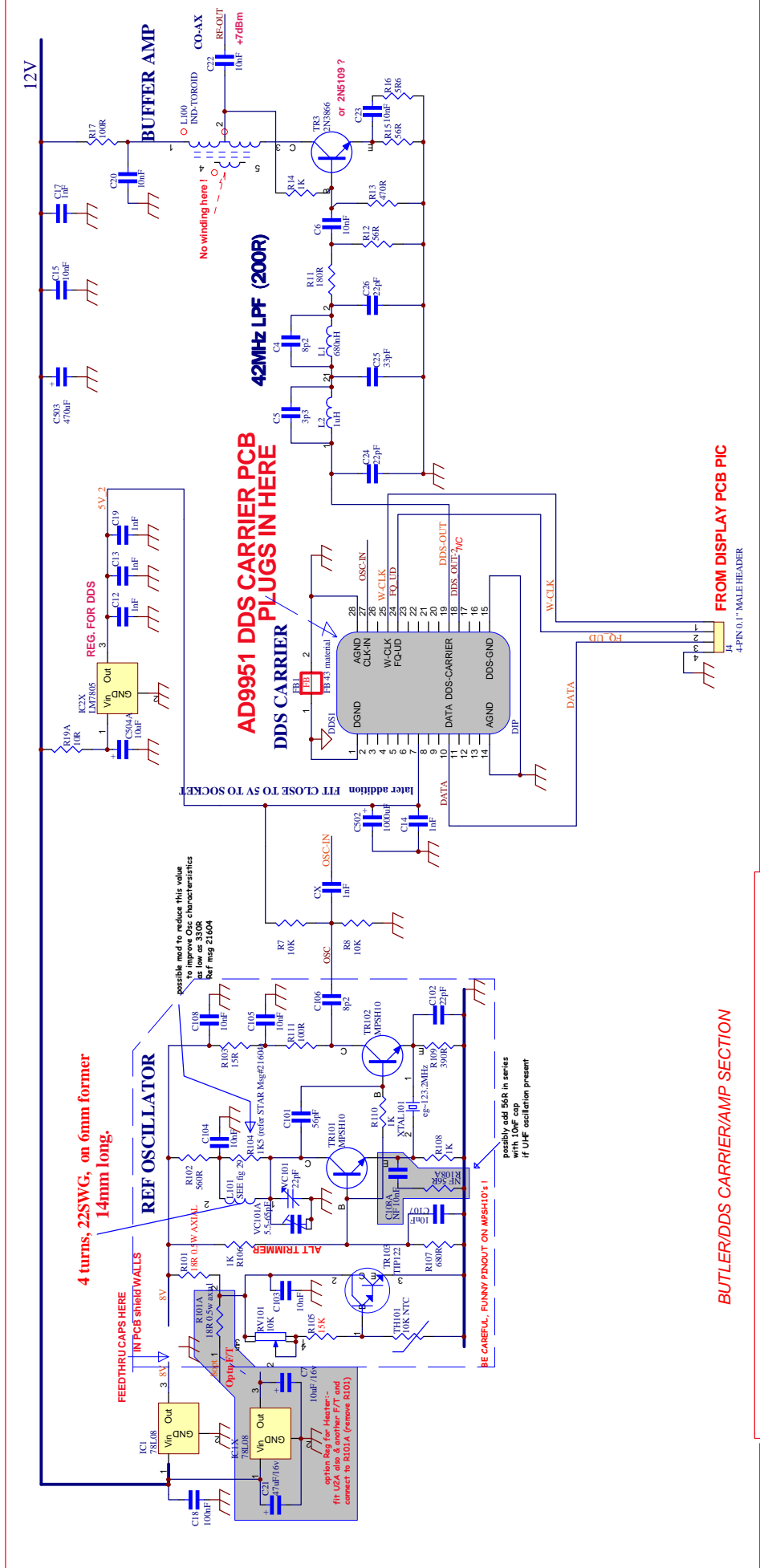
**VK3PE 10-07-06  
STAR STATUS PCB**

Updated on:	COMMERCIAL-IN-CONFIDENCE NOT TO BE DISCLOSED WITHOUT WRITTEN AUTHORITY
Updated by:	<b>status section</b>
Title:	PICMMX STATUS
Size:	A3
Number:	
Issue:	A
Printed on:	26-Nov-2007 20:37:30
Sheet:	3 of 4
File:	G:\Pnl-2208\PnlM\VER A SCHEMATICS\Update-1_311007\PnlM_Ver-a_STATUS.SCH

Sheet 3 of 4

# Ver A 140907

This schematic is a re-drawn version of the G3XJP PnlM schematic who owns the (C). This schematic is provided for completeness only for the VK3PE & C.S. pcb.



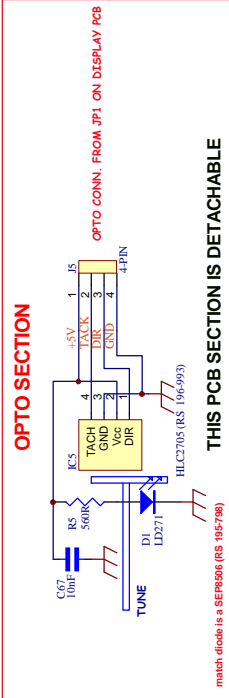
4 turns, 22SWG, on 6mm former  
14mm long.

REF OSCILLATOR

AD9951 DDS CARRIER PCB  
PLUGS IN HERE

42MHz LPF (200R)

BUTLER/DDS CARRIER/AMP SECTION



THIS PCB SECTION IS DETACHABLE

This schematic is a re-drawn version of the G3XJP PnM schematic who owns the (C). This schematic is provided for completeness only for the VK3PE & C.S. pcb.

Update\_2 26-11-07 TR103 is TIP122 not TIP123  
31-10-07 C2 IS ON DISPLAY PCB

Updated on:	Updated by:
COMMERCIAL-IN-CONFIDENCE NOT TO BE DISCLOSED WITHOUT WRITTEN AUTHORITY	
Title:	PICNMIX BUTLER SECTION
Size:	A3
Number:	
Issue:	A
Printed on:	26-Nov-2007 20:37:52
File:	G:\PnM\2208\PnM\VER A SCHEMATIC\Update-1_311007\PnM_Ver-a_BUTLER.SCH
Sheet:	4 of 4

BUTLER OSC, DDS CARRIER AND AMP PCB

# Ver A 140907

Sheet 4 of 4