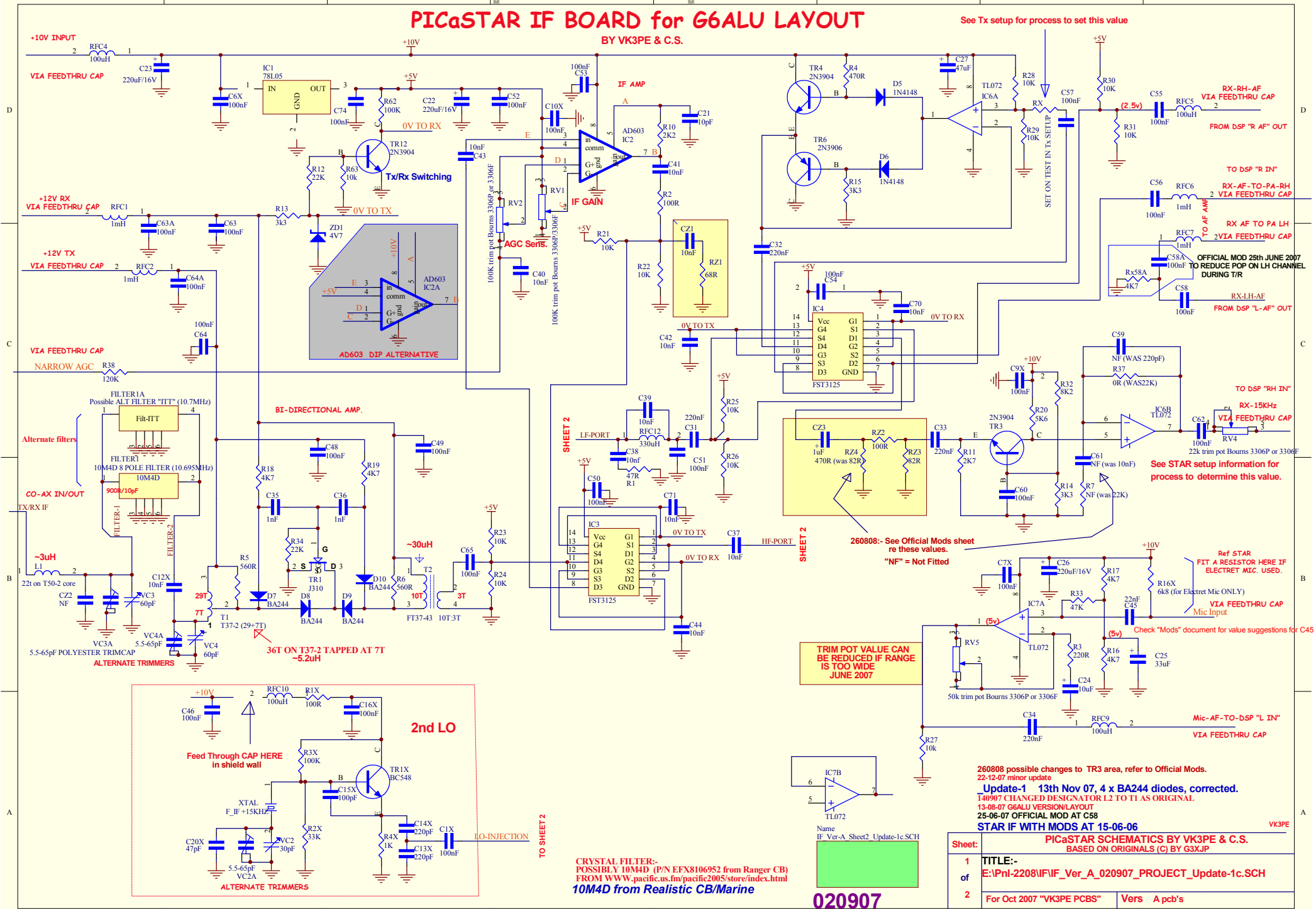


## PICaSTAR IF BOARD for G6ALU LAYOUT

BY VK3PE & C.S.

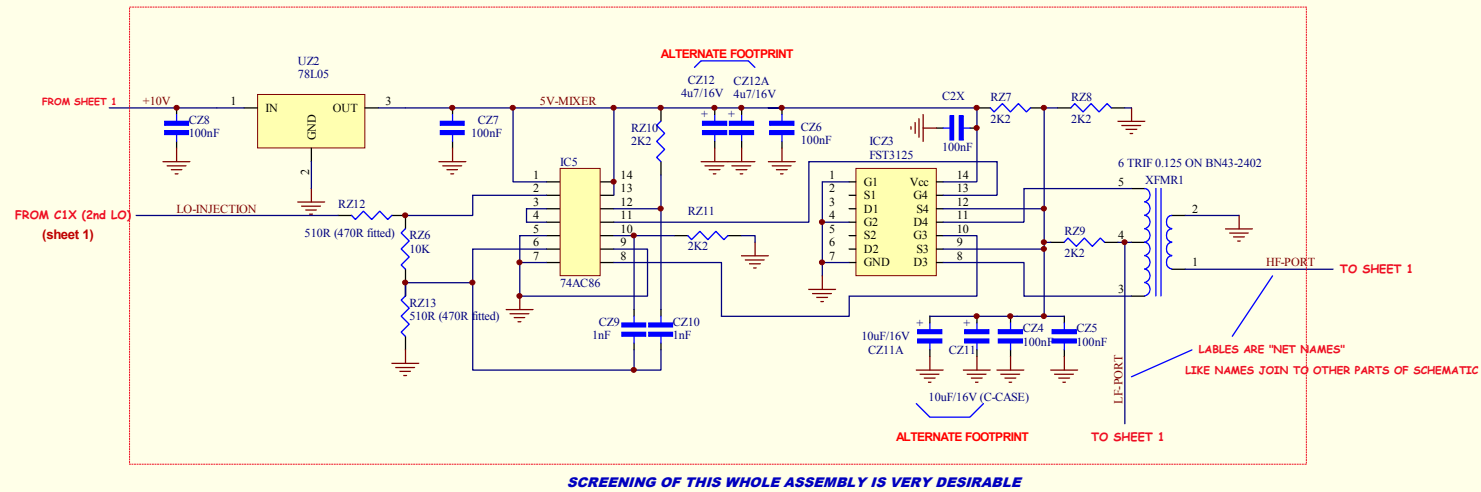


260808 possible changes to TR3 area, refer to Official Mods. 22-12-07 minor update	
Update-1 13th Nov 07, 4 x BA244 diodes, corrected.	
140907 CHANGED DESIGNATOR FOR L2 TO T1 AS ORIGINAL	
13-08-07 G6ALU VERSION LAYOUT	
25-06-07 OFFICIAL MOD AT C58	
STAR IF WITH MODS AT 15-06-06	
VK3PE	
Sheet:	PICaSTAR SCHEMATICS BY VK3PE & C.S. BASED ON ORIGINALS (C) BY G3XJP
1 of	TITLE:- E:\Pnl-2208\IFIF_Ver_A_020907_PROJECT_Update-1c.SCH
2 of	For Oct 2007 "VK3PE PCBs" Vers A pcb's

## PICaSTAR IF BOARD for G6ALU LAYOUT

BY VK3PE & C.S.

### "MIXADAPTER" FST3125 MIXER BOARD (NOW PART OF IF PCB)



300708 minor update.  
22-12-07 minor update  
10-07-07 CONVERT TO 0805 PARTS

DRAWN BY VK3PE

<b>Sheet:</b>	<b>PICaSTAR SCHEMATICS BY VK3PE &amp; C.S. BASED ON ORIGINALS (C) BY G3XJP</b>
<b>2</b>	<b>TITLE:-</b>
<b>of</b>	<b>E:\Pnl-2208\IF\IF_Ver-A_Sheet2_Update-1c.SCH</b>
<b>2</b>	<b>For Oct 2007 "VK3PE PCBs"      Vers    A</b>