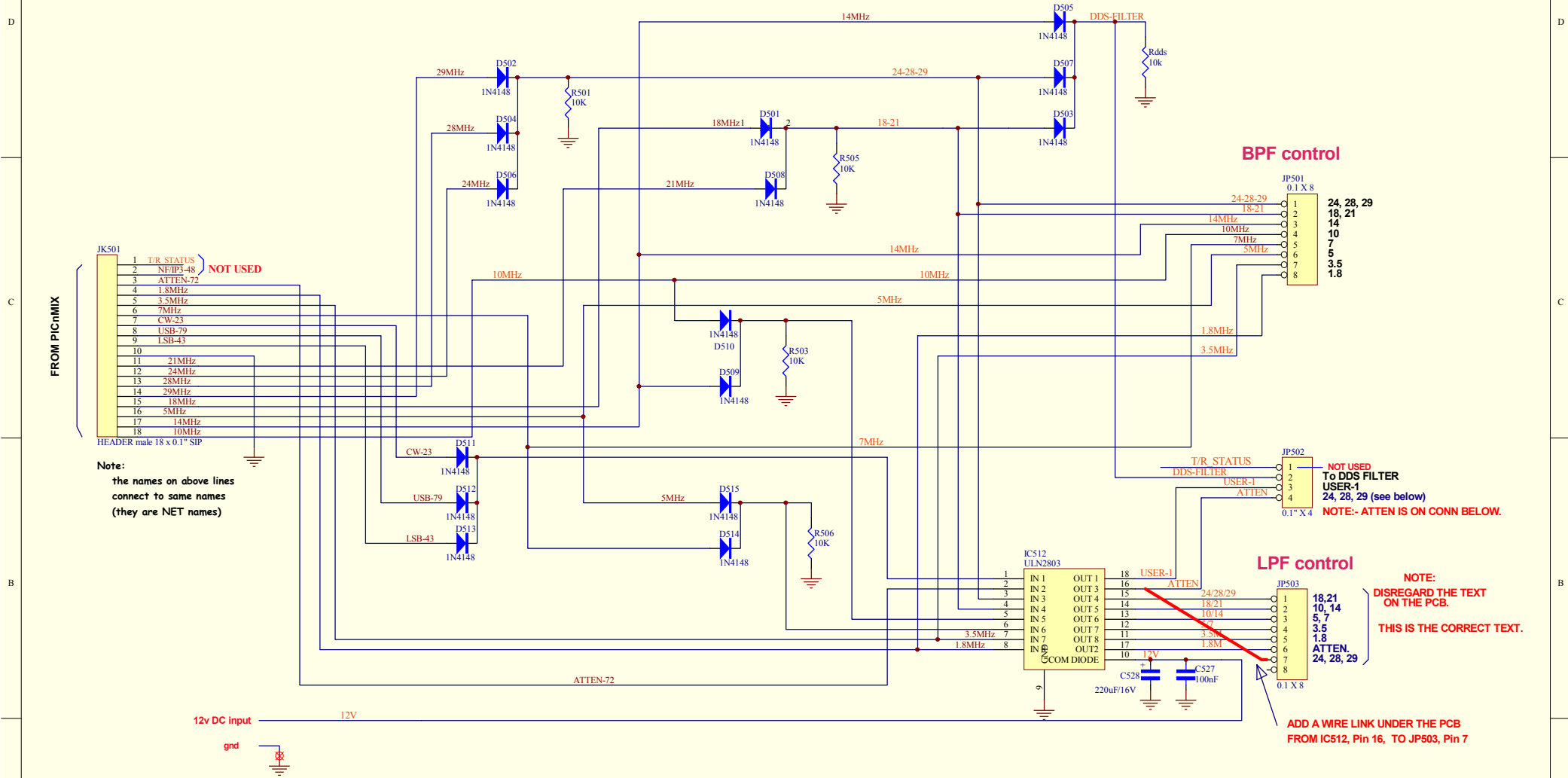


# STAR DIODE MATRIX 050907



FROM PIC16C64

1	T/R STATUS	NOT USED
2	NE/P3-48	NOT USED
3	ATTEN-72	NOT USED
4	1.8MHz	
5	3.5MHz	
6	7MHz	
7	CW-23	
8	USB-79	
9	LSB-43	
10		
11	21MHz	
12	24MHz	
13	28MHz	
14	29MHz	
15	18MHz	
16	5MHz	
17	14MHz	
18	10MHz	

HEADER make 18 x 0.1" SIP

Note:  
the names on above lines  
connect to same names  
(they are NET names)

**BPF control**

JP501  
0.1 X 8

1 24, 28, 29  
2 18, 21  
3 14  
4 10  
5 7  
6 5  
7 3.5  
8 1.8

JP502  
0.1" X 4

1 T/R STATUS  
2 DDS-FILTER  
3 USER-1  
4 ATTN

NOT USED  
To DDS FILTER  
USER-1  
24, 28, 29 (see below)  
NOTE:- ATTN IS ON CONN BELOW.

**LPF control**

JP503  
0.1 X 8

1 18, 21  
2 10, 14  
3 5, 7  
4 3.5  
5 1.8  
6 ATTN  
7 24, 28, 29  
8

NOTE:  
DISREGARD THE TEXT  
ON THE PCB.  
THIS IS THE CORRECT TEXT.

ADD A WIRE LINK UNDER THE PCB  
FROM IC512, Pin 16, TO JP503, Pin 7

## SHEET 1 OF 2

VK3PE

ORIGINAL SCHEMATIC BY G6ALU

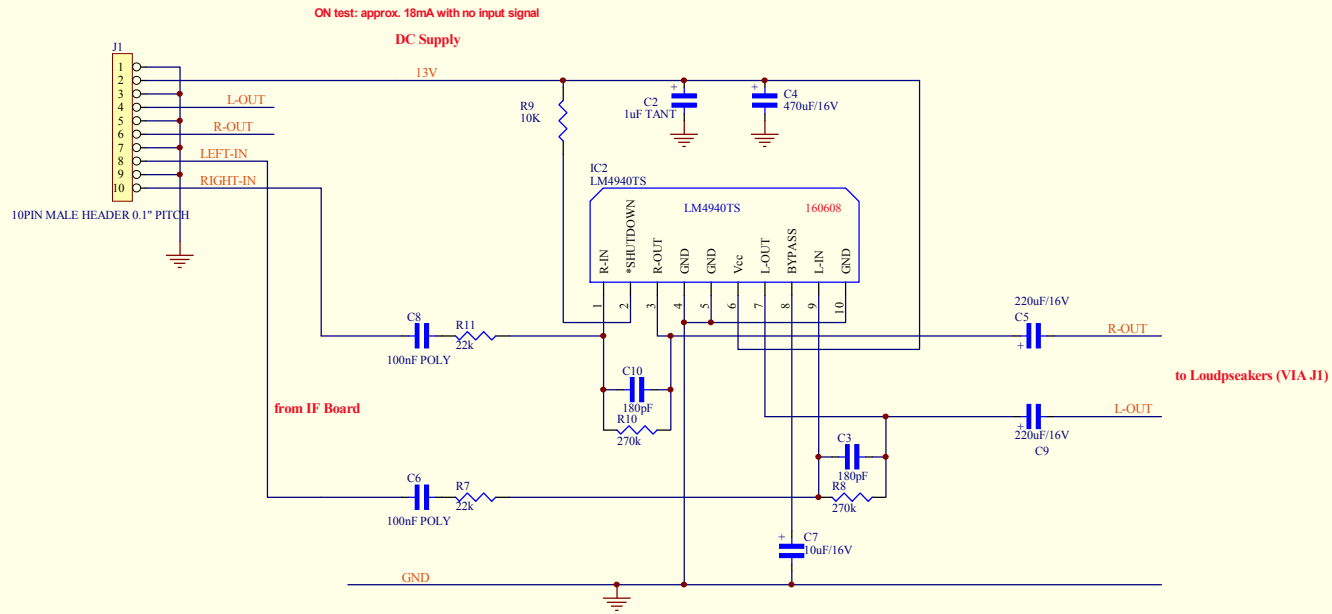
160608 corrected pin name on AF Amp IC.  
5th Dec 2007 Update\_1:- error in LPF control designation

011207 cosmetic update only

Sheet:	PICaSTAR SCHEMATICS BY VK3PE & C.S. BASED ON ORIGINALS (C) BY G3XJP
1 of 2	TITLE:- E:\Pnl-2208\Diode Logic Steves\Update 160608\MATRIX_AF-AMP_V-A_050907-PROJ
	For Oct 2007 "VK3PE PCBs" Vers "A"

Name  
AF-AMP-G6ALU.SCH

# G6ALU AUDIO AMP FOR PICaSTAR



## SHEET 2 OF 2

Refer to G6ALU web site for further information

160608 corrected pin name on AF Amp IC.  
05-12-07 Update-1 ADDED CONNECTOR FOR AF AMP.

Sheet:	PICaSTAR SCHEMATICS BY VK3PE & C.S. BASED ON ORIGINALS (C) BY G3XJP	
2 of 2	TITLE:- E:\Pnl-2208\Diode Logic Steves\Update 160608\AF-AMP-G6ALU.SCH	
	For Oct 2007 "VK3PE PCBs"	Vers "A"