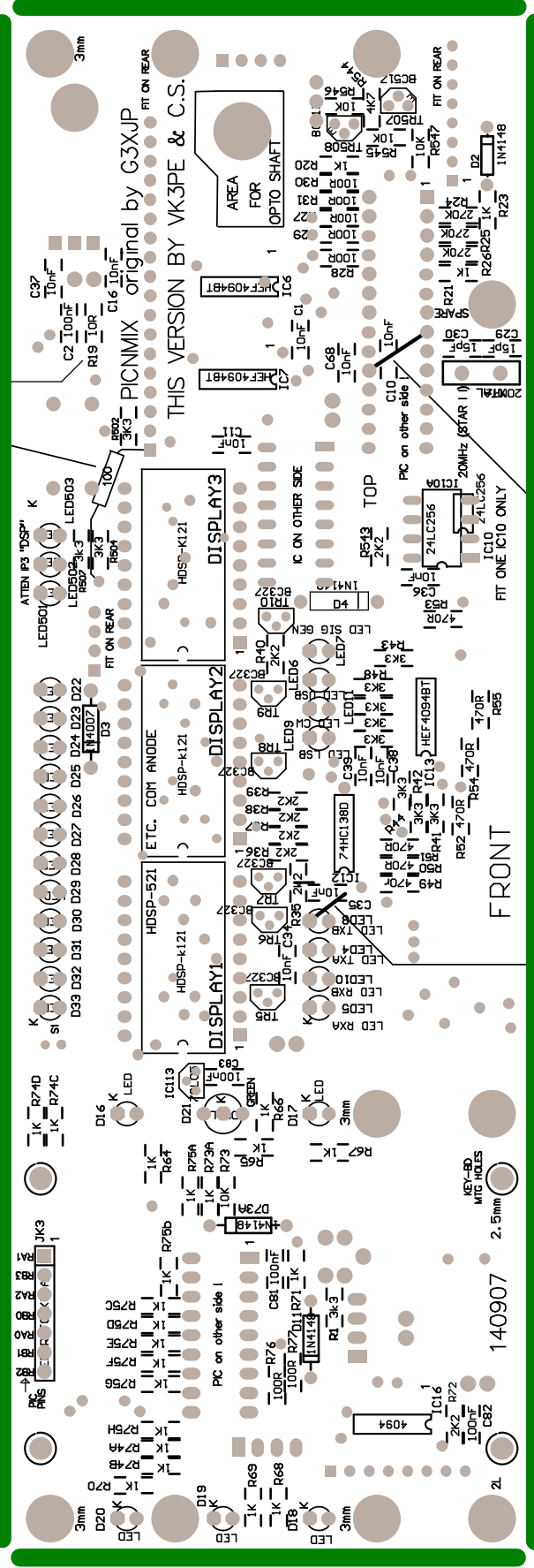


NOTE BC327's (6) are shown REVERSED on this overlay !

Add LINKS as below for correct Grounding.

"R2,x" FIT A 100 ohm LEADED RESISTOR FROM "SPARE", TO JK1 PIN 1
 NOTE: R19 should be a 1W resistor.
 refer to web page for details of fitting.



LINK bottom of C35 to top of LED8 (GND)

5th Nov 07: LINK Pin 19 to pin 8 of PIC socket with a piece of resistor lead.

140907

