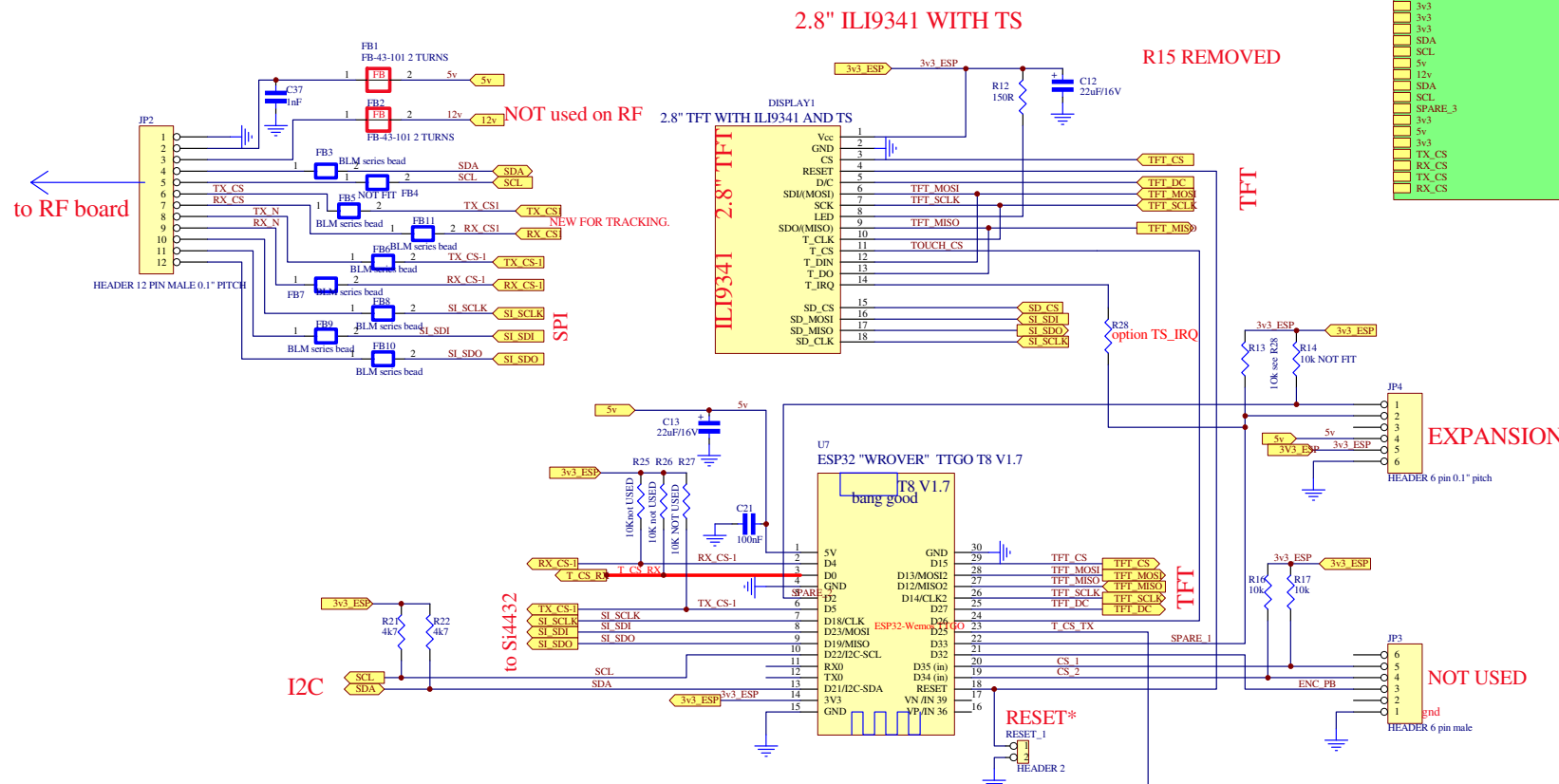


simpleSA CONTROL SECTION V2 WITH TRACKING GEN provision



12V DC INPUT

This Schematic is based on original work by PD0EK for a simple and low cost Spectrum Analyzer, known as "tinySA".
 The Schematic now uses an ESP32 Micro instead of original NANO board and for differentiation is called "simpleSA"
 Bill of material, and other build documents will soon be available at www.carnut.info/tinySA.
 Software. see Groups.io HBTE group.

To FB5 & FB11

R31 & R32 are not fitted unless this 2nd PCB is used as the tracking generator. They are used in conjunction with R33 & R34 to allow Chip Selects in the tracking generator PCB for U1 & U2

VK3PE web page, more details: www.carnut.info/tinySA.html
V3_TRACKa4.PCB
 ordered as "V2_simpleSA.ZIP"

10th Aug 2020: ordered "V2_simpleSA.ZIP"
 24TH JULY 2020:
 MOD TO ALLOW TRACKING GEN FUTURE

8th July 2020, tidy up/clarify
 23rd June do NOT fit R14!
 ADDED RESET PADS ON PCB

17th Apr 2020 added v28 TS_IRQ
 14th April minor tidy up
 31ST mar swapped tx and rx CS's - PCB = tinySA_V2b.PCB
V2 PCB 290320 DRAFT
100320_1 Vers 1.0 pcb
FEB 2020 ROUGH DRAFT

Based on original design by Erik, PD0EK
 ref HBTE groups.io "https://groups.io/g/HBTE"

Title		DRAWN BY:	
Sh: A3	Date: 11-Aug-2020	VK3PE	
Time: 10:44:19	Sheet of 2	(C) 2007-2019	