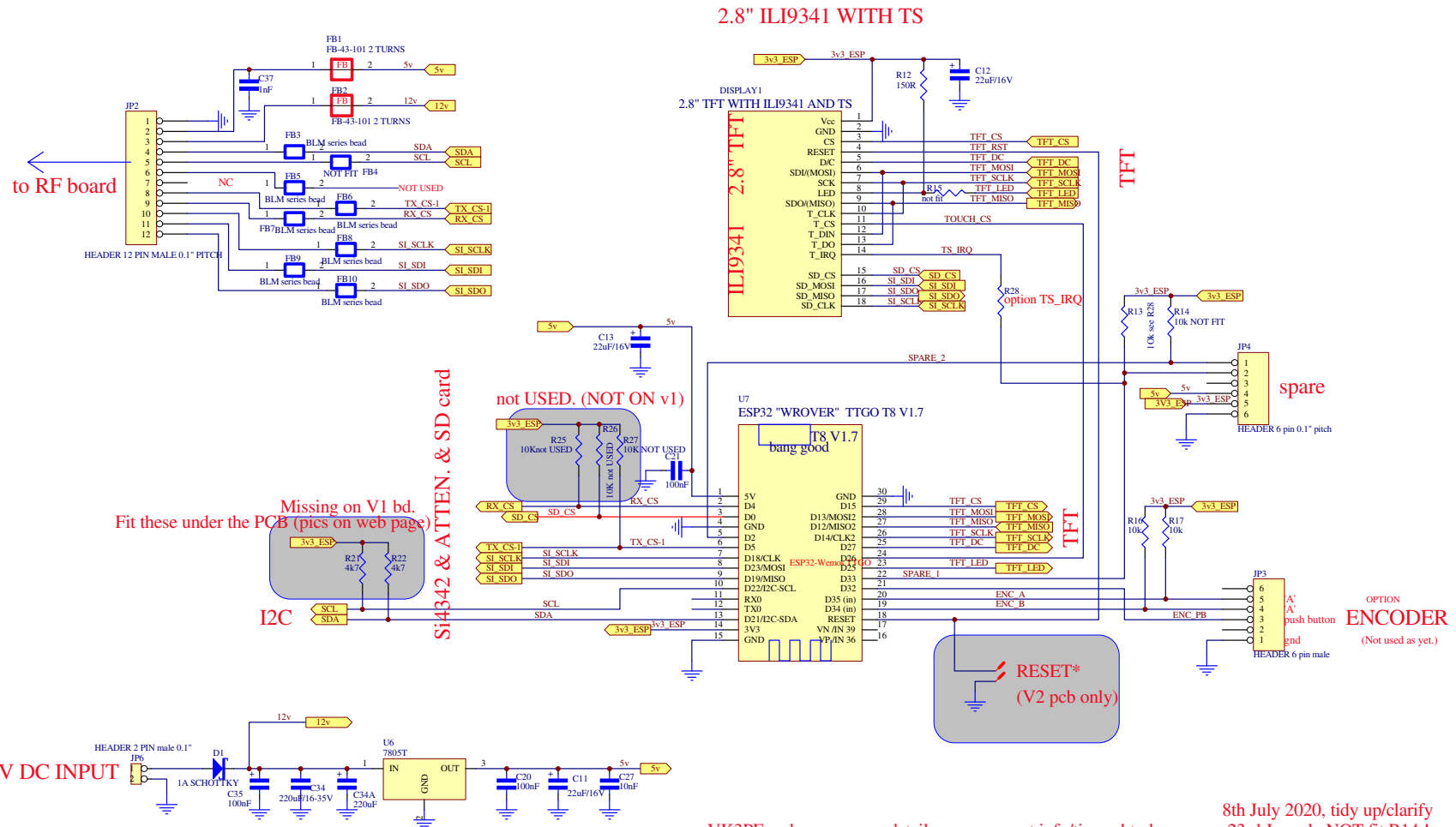


# tinySA CONTROL SECTION V1/V2 per M0WID's pinout



This Schematic is based on original work by PD0EK for a simple and low cost Spectrum Analyzer, known as "tinySA".

The Schematic now uses an ESP32 Micro instead of original NANO board.

Bill of material, and other build documents will soo be available at [www.carnut.info/tinySA](http://www.carnut.info/tinySA).  
Software, see Groups.io HBTE group.

VK3PE web page, more details: [www.carnut.info/tinySA.html](http://www.carnut.info/tinySA.html)

8th July 2020, tidy up/clarify  
23rd June do NOT fit R14!  
ADDED RESET PADS ON PCB

17th Apr 2020 added v28 TS\_IRQ  
14th April minor tidy up  
31ST mar swapped tx and rx CS's PCB = tinySA\_V2b.PCB  
V2 PCB 290320 DRAFT

100320\_1 Vers 1.0 pcb  
FEB 2020 ROUGH DRAFT

Based on original design by Erik, PD0EK  
ref HBTE groups.io "https://groups.io/g/HBTE"

Title		DRAWN BY:	
Size: A3	Date: 12-Jul-2020	Sheet	VK3PE
Time: 12:48:20	of 3	of 3	(C) 2007-2019