

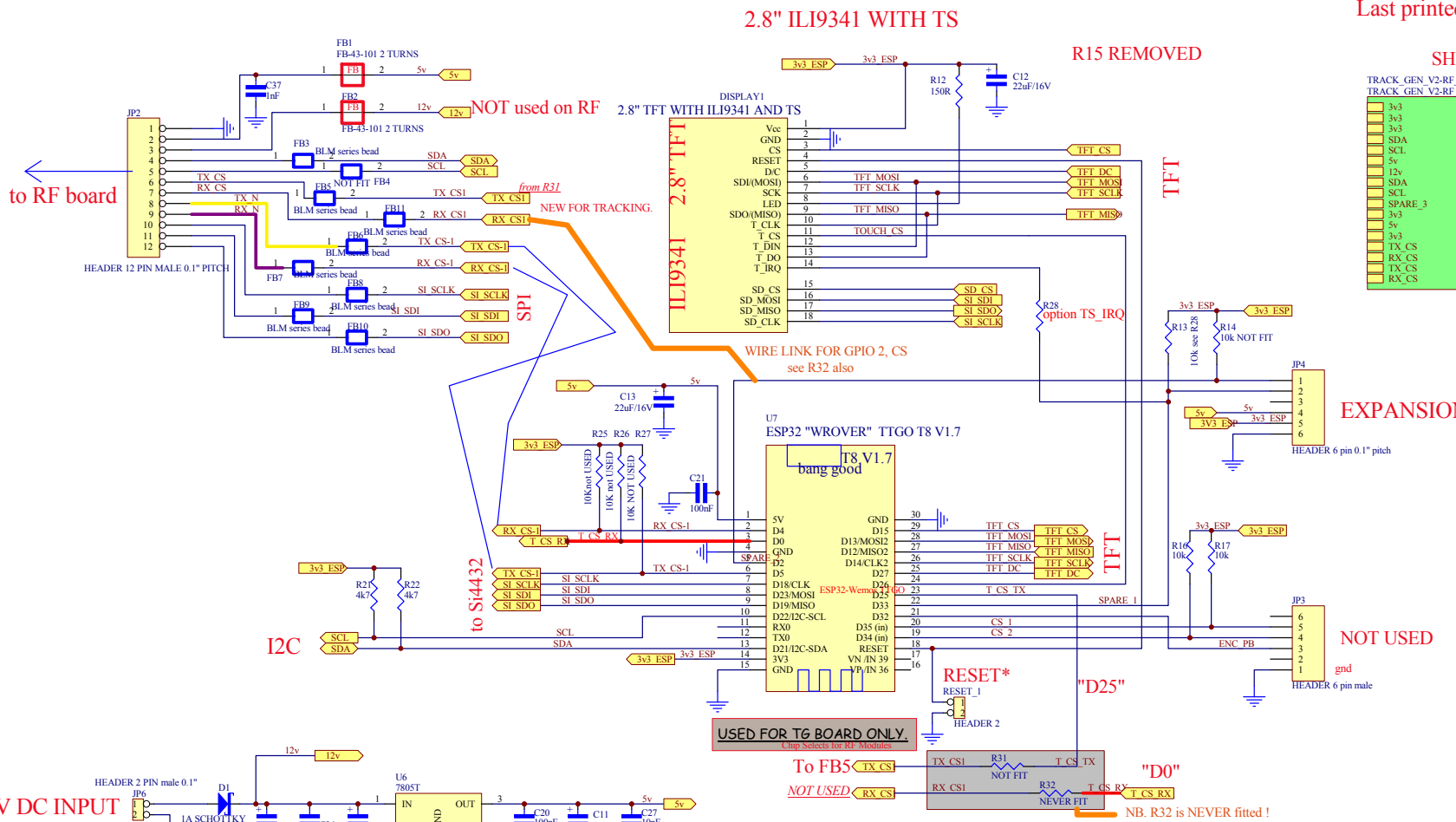
# V2.0 pcb: "simpleSA" CONTROL SECTION, WITH TRACKING GEN provision

Last printed 11-10-20

SHEET 2

TRACK\_GEN\_V2-RF\_SHEET2  
TRACK\_GEN\_V2-RF\_SHEET2\_Sch

3v3
3v3
3v3
SDA
SCL
5v
12v
SDA
SDA
SCL
SPARE_3
3v3
5v
3v3
TX_CS
RX_CS
TX_CS
RX_CS



12V DC INPUT

This Schematic is based on original work by PD0EK for a simple and low cost Spectrum Analyzer, known as "tinySA".

The Schematic now uses an ESP32 Micro instead of original NANO board and for differentiation is called "simpleSA"

Bill of material, and other build documents will soon be available at [www.carnut.info/tinySA](http://www.carnut.info/tinySA).  
Software. see Groups.io HBTE group.

V2.0 PCB only - R31 & R32 are not fitted unless a 2nd RF PCB is used as the tracking generator. They are used in conjunction with R33 & R34 to allow Chip Selects in the tracking generator PCB for U1 & U2.

due to CS error on v2.0, have to cut two tracks SA RF board and fit R31,32 on control board.

10th Aug 2020: ordered "V2\_simpleSA.ZIP"  
24TH JULY 2020:  
MOD TO ALLOW TRACKING GEN FUTURE  
8th July 2020, tidy up/clarify  
23rd June do NOT fit R14!  
ADDED RESET PADS ON PCB  
17th Apr 2020 added +28 TS\_IRQ  
14th April minor tidy up  
31ST mar swapped tx and rx CS's PCB = tinySA\_V2b.PCB  
V2 PCB 29/3/20 DRAFT  
10/3/20: 1 Vers 1.0 pcb  
FEB 2020 ROUGH DRAFT

VK3PE web page, more details: [www.carnut.info/tinySA.html](http://www.carnut.info/tinySA.html)

**V3 TRACKa4.PCB**  
ordered as "V2\_simpleSA.ZIP"  
ref HBTE groups.io "https://groups.io/g/HBTE"

Title	Date: 12-Oct-2020	Sheet of 1	DRAWN BY: VK3PE
Size: A3	Time: 14:32:07	of 2	(C) 2007-2019