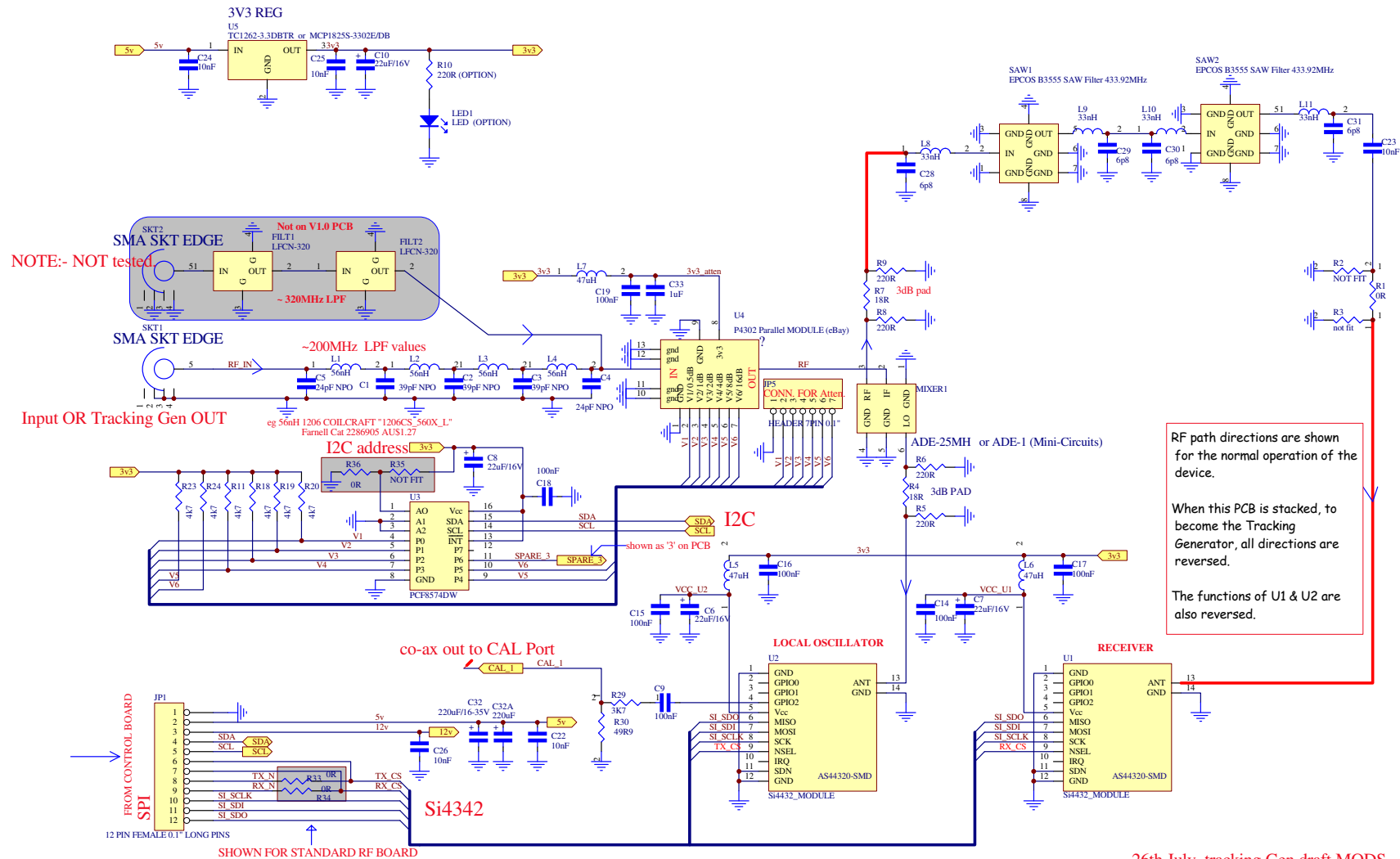


# RF Board or Tracking Gen V2 for simpleSA ??



26th July tracking Gen draft MODS

V3\_TRACKa4.PCB

Title	Date: 26-Jul-2020		Sheet	2	DRAWN BY:
Size: A3	Date: 26-Jul-2020	Time: 10:04:12	of	2	VK3PE
					(C) 2007-2019